

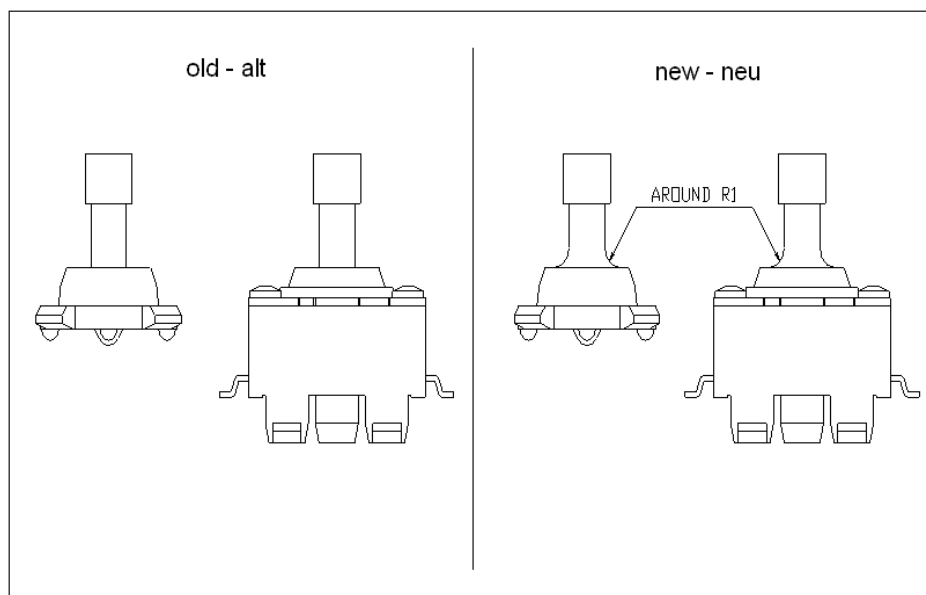
Product Change Notice

Product affected: TSSJ 30
Effective date: after stock clearance

Details:

In the course of continuously product improvement the shape of the actuator was modified:
The smooth transition between the levels will increase lifetime and reliability.

All other dimension, electrical and other spec remain unchanged.



knitter-switch, May 2010

Oliver Kluj
Technical Director