

knitter-switch

Product-Change Notification

Products affected: MFS 131 D

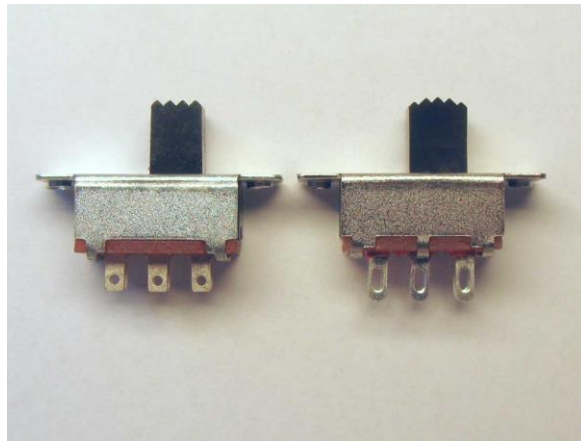
Effective date: after current stock is sold out

Details:

Due to worn-out moulds and factory relocation the product was revised.

General technical data, such as rating and number of cycles, remain.

The appearance of slider and terminals is slightly different in the new version.



Old
(drawing 30 21 66)

New
(drawing 30 40 45)

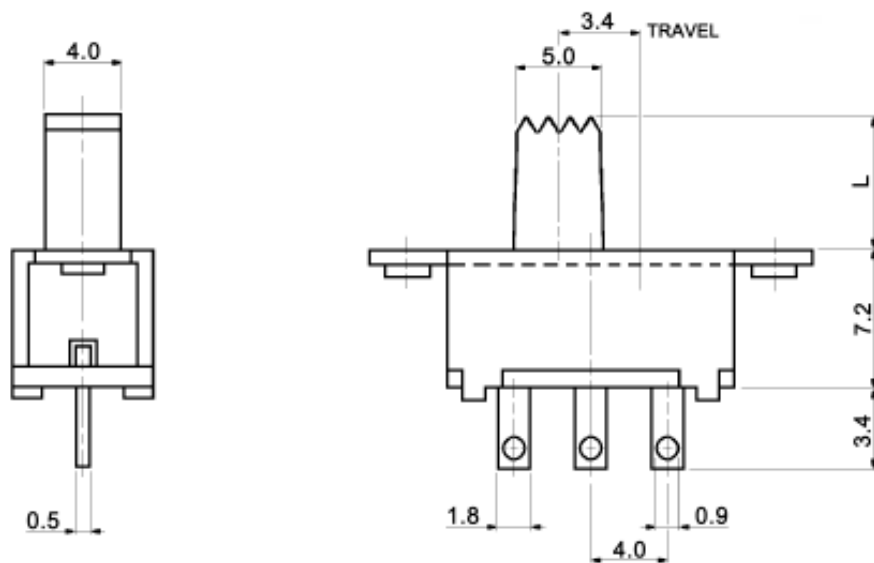
See attached data-sheets for details.

Knitter-switch, May 2018

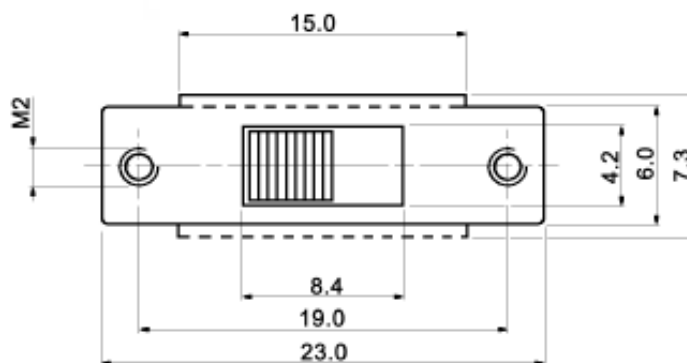
A handwritten signature in black ink that reads "Oliver Kluj".

Oliver Kluj
Technical Director

knitter-switch



SCHEMATIC



Specifications:

Contact rating:	350mA, 30V DC
Contact resistance:	20mOhm max.
Insulation resistance:	100MOhm min. at 500V DC
Dielectric strength:	500V, 50Hz for the duration of 1 minute
Operating temperature:	-20°C to +85°C
Mechanical life:	min. 10 000 cycles
Soldering conditions:	hand-soldering: max.: 270°C, 5sec.
Switching function:	on - on
Timing:	non-shorting
Material:	Contacts: copper alloy, silver plated over nickel barrier Slide colour: black

x	L(mm)
2.5	2.5
4	4
5	5
6	6
empty	7
9	9
11	11
12	12
14	14



Tolerances: ±0.2mm	Date	Name
	09/10	dr

MFS 131 D-x

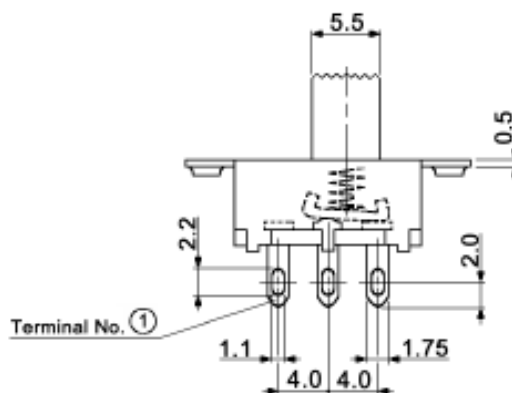
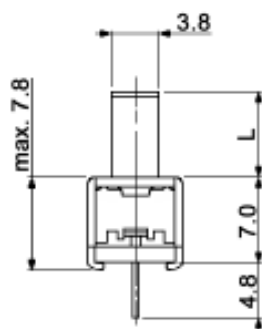
knitter-switch

30 21 66

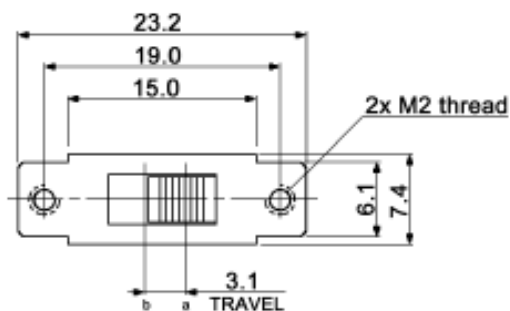
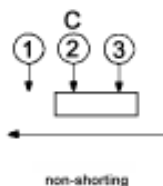
Page
1/1

Modifications	Date	Name
---------------	------	------

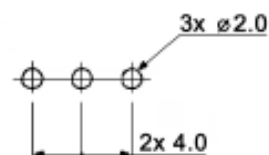
knitter-switch



CIRCUIT DIAGRAM
C: COMMON PIN
BOTTOM VIEW



HOLE LAYOUT $\oplus 0.05$



Specifications:

Contact rating: 0.35A, 30V DC
Contact resistance: 20mOhm max.
Insulation resistance: 100MOhm min. at 500V DC for 1 minute
Dielectric strength: 500V AC (50/60Hz, 2mA) for 1 minute
Operating temperature: -40°C to +85°C
Mechanical life: 10 000 cycles
Operating force: 250 +/-100gf
Soldering conditions: iron-method: 350 +/-10°C, 3 +/-1sec.
Material: Terminal: brass strip, silver plated
 Frame: SPCC, nickel plated
 Base: phenolic resin, natural
 Contact plate: brass strip, silver plated
 Spring: SWC, temper
 Slider: POM, black

x	L(mm)
2.5	2.5
4	4
5	5
6	6
empty	7
9	9
11	11
12	12
14	14

Compliance: RohS II (2011/65/EU)

Tolerances: up to 10: ±0.20mm above 10-50: ±0.30mm		Date	Name	MFS 131 D-x
		03/18	dr	
			knitter-switch	30 40 45
Modifications		Date	Name	Page 1/1