

knitter-switch

Product-Change Notification

Products affected: MFP 106 D

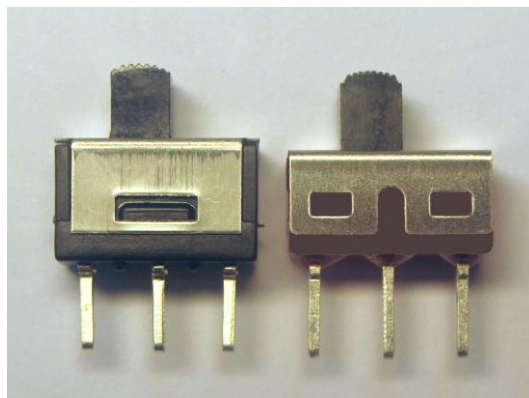
Effective date: immediately after customer's confirmation

Details:

Due to worn-out moulds and factory relocation the product was revised.

General technical data, such as rating and number of cycles, were improved.

The terminal pitch changes slightly from 4.6 to 4.7 mm.



Old (drawing 30 23 16) New (30 38 22)

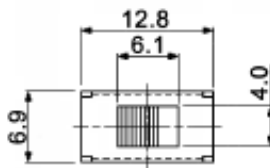
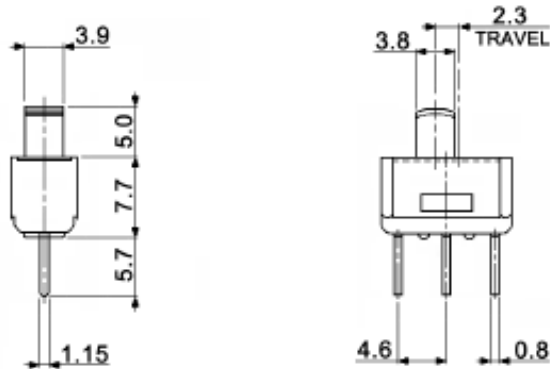
See attached data-sheets for details.

Knitter-switch, May 2017

Customer approval

Oliver Kluj
Technical Director

knitter-switch



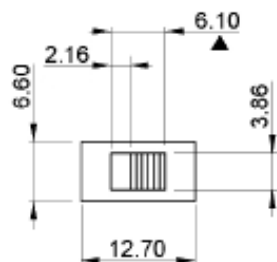
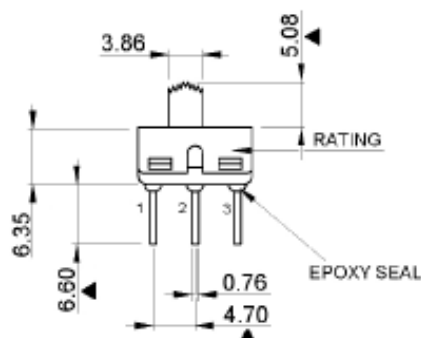
Specifications:

Contact rating:	3A, 125V AC (50/60Hz)
Contact resistance:	20mOhm max.
Insulation resistance:	100MOhm min. at 500V DC
Dielectric strength:	500V AC for 1 minute
Mechanical life:	10 000 cycles
Operating force:	350 +/-150gf
Timing:	non-shorting
Material:	Frame: stainless steel
	Box / pressure finger: phenolic resin
	Actuator: polycarbonate
	Terminal / contact: copper, silver plated

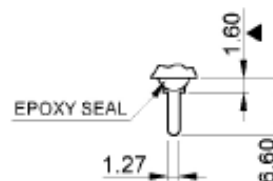


Tolerances: ±0.3mm		Date	Name	MFP 106 D
		03/11	dr	
			knitter-switch	30 23 16
Modifications		Date	Name	Page 1/1

knitter-switch



TERMINAL DETAIL



P.C. MOUNTING



Specifications:

Contact rating: 5A, 125V AC (50/60Hz)
Contact resistance: 20mOhm max.
Insulation resistance: 1000MOhm min. at 500V DC
Dielectric strength: 1000V AC for 1 minute
Mechanical life: 30 000 cycles
Operating force: 300 +/-100gf
Timing: non-shorting
Material: Frame: stainless steel
 Box / pressure finger: diallyl phtalate, UL94V-0, black
 Actuator: nylon, black
 Terminals / contacts: brass, silver plated

Compliance: RohS II (2011/65/EU)

Tolerances: 0.00: ±0.25mm 0.0: ±0.40mm		Date	Name	<h2>MFP 106 D</h2>
		03/17	dr	
		knitter-switch		<h2>30 38 22</h2>
Modifications	Date	Name		Page 1/1