

knitter-switch

Product-Change Notification

Affected Product: LD 46, LD 46 S

Effective Date: immediately

Details:

Due to obsolescence of semiconductor, a modification of the part became unavoidable. The appearance differs slightly in mounted condition.

Therefore we do not recommend a mix of old and new parts in one and the same panel.



LD 46 old
drawing 303375

LD 46 new
drawing 303547

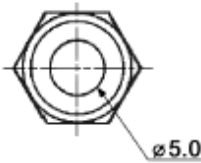
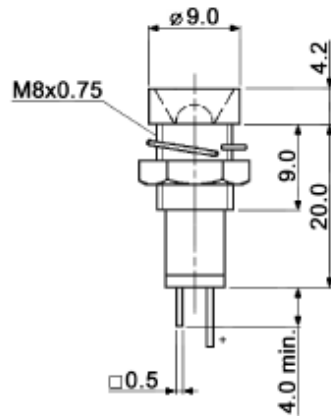
Details are shown in the attached data-sheets. Electro-optical data comparison:

	<u>old</u>	<u>new</u>
Power dissipation, max. [mW]	125	105
Forward voltage, typ. [V]	2.1	2.2
Forward current, max. [mA]	20	25
Peak emission wave length, typ. [nm]	555	565
Luminous Intensity at 10 mA, typ. (mcd)	12	n.a.
Luminous efficiency [lm/W]	n. a.	660
Reverse voltage [V]	4	5
Reverse current [μ A]	100	10
Operating temperature [°C]	-30/+85	-45/+85

knitter-switch, March 2016

Oliver Kluj
Technical Director

knitter-switch



Ordering code	Housing	Color
LD 36	brass, chromium plated	red
LD 46	brass, chromium plated	green
LD 66	brass, chromium plated	yellow
LD 36 S	brass, black, matt finish	red
LD 46 S	brass, black, matt finish	green
LD 66 S	brass, black, matt finish	yellow

Compliance: RohS II (2011/65/EU)

Tolerances:		Date	Name	LD x6 / LD x6 S
		07/15	dr	
			knitter-switch	30 33 75
Modifications		Date	Name	Page 1/1

