

knitter-switch

Product-Change Notification

Affected Product: LD 46-24, LD 46 S -24

Effective Date: immediately

Details:

Due to obsolescence of semiconductor, a modification of the part became unavoidable. The appearance differs slightly in mounted condition. Therefore we do not recommend a mix of old and new parts in one and the same panel.



LD 46-24 old
drawing 303732

LD 46-24 new
drawing 303731

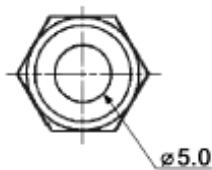
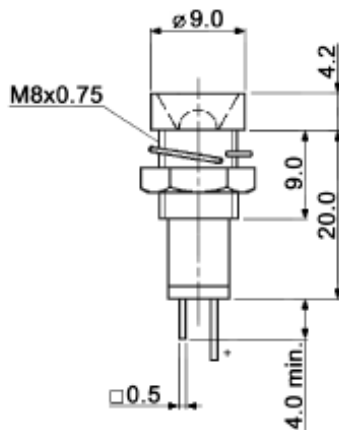
Details are shown in the attached data-sheets. Electro-optical data comparison:

	<u>old</u>	<u>new</u>
Power dissipation, max. [mW]	125	105
Forward voltage, typ. [V]	2.1	2.2
Forward current, max. [mA]	20	25
Peak emission wave length, typ. [nm]	555	565
Luminous Intensity at 10 mA, typ. (mcd)	12	n.a.
Luminous efficiency [lm/W]	n. a.	660
Reverse voltage [V]	4	5
Reverse current [μ A]	100	10
Operating temperature [°C]	-30/+85	-45/+85

knitter-switch, November 2016

Oliver Kluj
Technical Director

knitter-switch

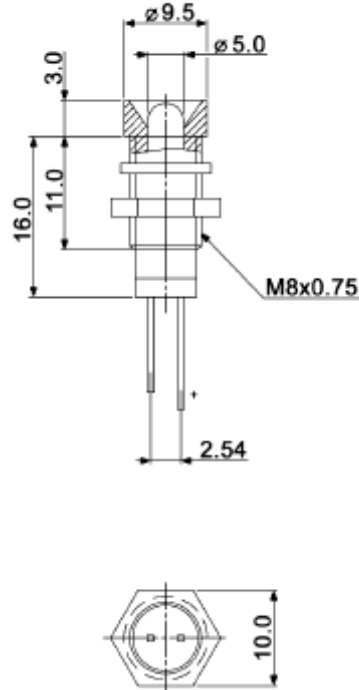


Ordering code	Housing	LED color (operation voltage 24V DC)
LD 36	brass, chromium plated	red
LD 46	brass, chromium plated	green
LD 66	brass, chromium plated	yellow
LD 36 S	brass, black, matt finish	red
LD 46 S	brass, black, matt finish	green
LD 66 S	brass, black, matt finish	yellow

Compliance: RohS II (2011/65/EU)

Tolerances:			Date	Name	LD x6-24_LD x6 S-24
			11/16	dr	
					knitter-switch
					30 37 32
					Page 1/1
Modifications	Date	Name			

knitter-switch



x	Case
(empty)	brass, chromium plated
S	brass, chromium black plated

Specifications:

Power dissipation:	105mW
Forward voltage:	2.2V; max. 2.5V
Forward current:	25mA max.
Luminous efficiency:	660lm/W
Peak emission wavelength:	565nm
Reverse voltage:	5V
Reverse current:	10µA
Operating temperature:	-45°C to +85°C
Operation voltage:	24V DC (by built-in resistor)
Compliance:	RohS II (2011/65/EU)

Tolerances: ±0.25mm	Date	Name	LD 46 x-24
	11/16	dr	
			30 37 31
			Page
			1/1
Modifications	Date	Name	