

knitter-switch

Product Change Notice P10-2022

Products affected: ASL 1 E, ASL 1 D-RA, ASL 1 E-RA
ASL 2 E, ASL 2 D-RA, ASL 2 E-RA

Effectivity date: after current stock is sold

Details:

Due to relocation of production minor changes on the product were implemented.

Marking is changed to laser print and is displaying the correct part number.

There is no other change affecting the usability of the component.

For comparison, please find both old and new data-sheet attached.

Drawing numbers old / new are:

ASL 1 E: 30 08 79 / 30 48 29

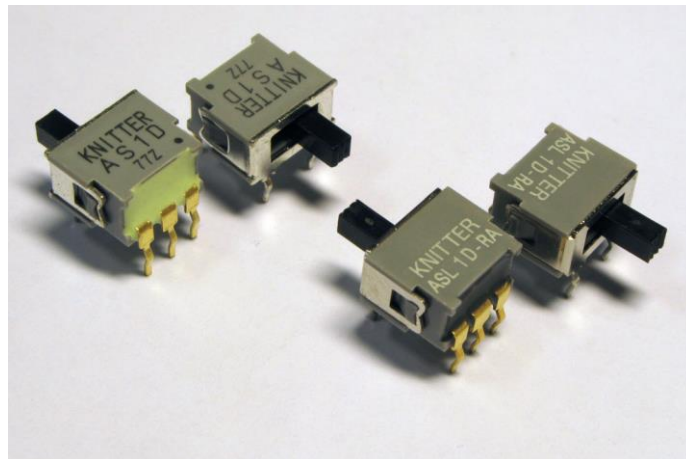
ASL 1 D-RA: 30 08 80 / 30 48 31

ASL 1 E-RA: 30 08 81 / 30 48 30

ASL 2 E: 30 08 83 / 30 48 28

ASL 2 D-RA: 30 08 84 / 30 48 27

ASL 2 E-RA: 30 08 85 / 30 48 26



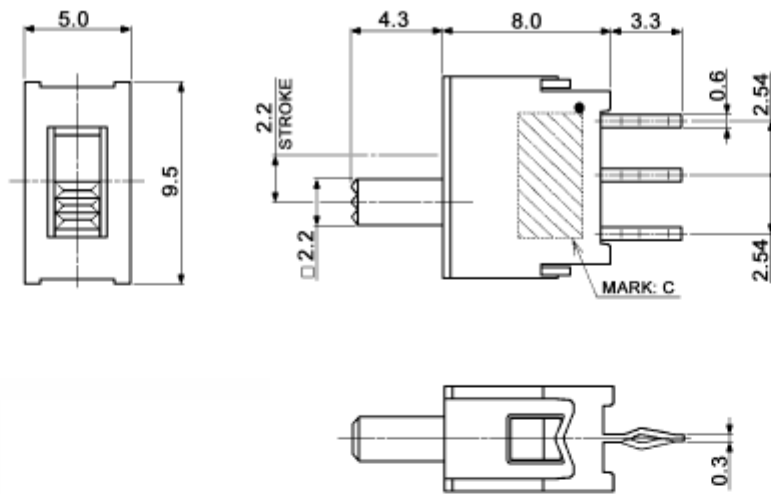
Old version

New version

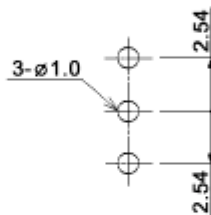
knitter-switch - Baldham, September 2022

Oliver Kluj
Technical Director

knitter-switch



P.C. LAYOUT



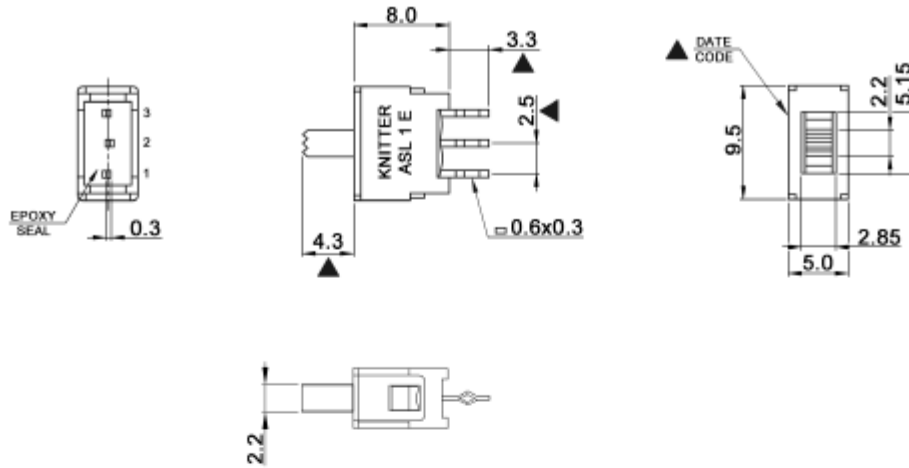
Specifications:

Contact rating:	max. 50mA, 48V AC/DC; min. 1µA, 20mV AC/DC
Contact resistance:	50mOhm max. at 1.5mA, 200µA AC
Insulation resistance:	500MOhm min. at 250V DC
Dielectric strength:	250V AC for 1 minute
Temperature range:	-20°C to +80°C
Mechanical life:	max. rating: 10 000 cycles; min. rating: 50 000 cycles
Operating force:	70 - 500gf
Mounting:	on pc-board
Soldering conditions:	auto-soldering: max.: 260 +/-5°C, 5 +/-1sec.
Switching function:	on - off - on
Material:	Terminal / contact: phosphor bronze, gold plated Lever: PBT resin, black Frame: brass, nickel plated Case: PBT resin, gray



Tolerances:		Date	Name	ASL 1 E
		05/06	dr	
		knitter-switch		30 08 79
Soldering conditions	10/06	dr		Page 1/1
Modifications	Date	Name		

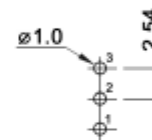
knitter-switch



SWITCH FUNCTION

Model No.	POS. 1	POS. 2	POS. 3
ASL 1 E	ON	OFF	ON
Term. Conn.	2-1	OPEN	2-3

P.C. MOUNTING



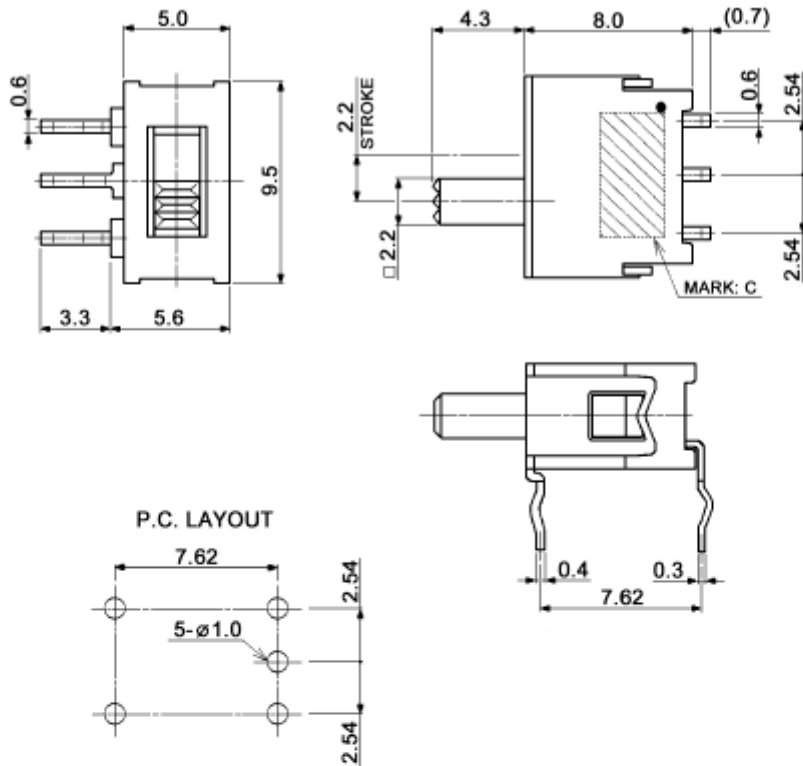
Specifications:

Contact rating:	max. 50 mA, 48 V AC/DC min. 1 μ A, 20 mV AC/DC
Contact resistance:	50 mOhm max. (at 1.5mA, 200 μ V DC)
Insulation resistance:	500 MOhm min. at 500 V DC
Dielectric strength:	500 V AC for 1 minute
Operating temperature:	-20°C to +80°C
Mechanical life:	40 000 cycles min.
Operating force:	70-500 gf
Soldering conditions:	pre-heat: max. 100°C, max. 60 sec. wave: max. 260°C, max. 5 sec.
Material:	Actuator: PBT, black Frame: brass, nickel plated Case: glass filled nylon 6/6, flame retardant, heat stabilized (UL94V-0), colour: grey Contact / terminals: phosphor bronze, gold plated over nickel Terminal seal: epoxy

Compliance: RohS III (2015/863/EU)

Tolerances: 0.00: \pm 0.25 mm 0.0: \pm 0.40 mm		Date	Name	<h1>ASL 1 E</h1>
		07/22	dr	
			knitter-switch	<h1>30 48 29</h1>
Modifications			Date	Name
				Page 1/1

knitter-switch



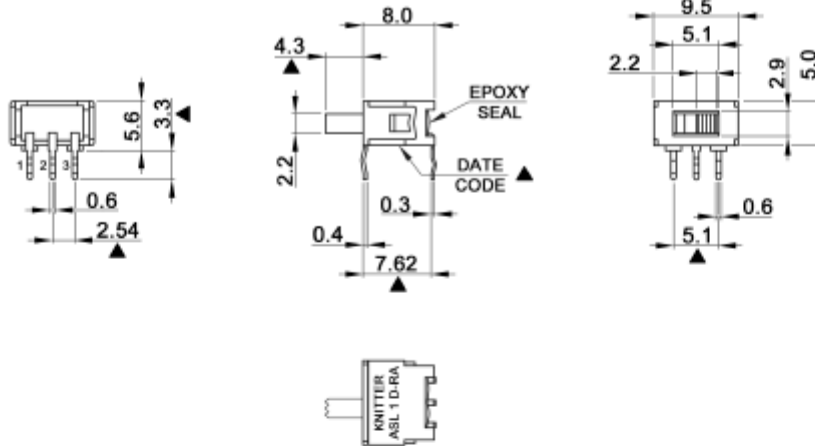
Specifications:

Contact rating:	max. 50mA, 48V AC/DC; min. 1 μ A, 20mV AC/DC
Contact resistance:	50mOhm max. at 1.5mA, 200 μ A AC
Insulation resistance:	500MOhm min. at 250V DC
Dielectric strength:	250V AC for 1 minute
Temperature range:	-20°C to +80°C
Mechanical life:	max. rating: 10 000 cycles; min. rating: 50 000 cycles
Operating force:	70 - 500gf
Mounting:	on pc-board
Soldering conditions:	auto-soldering: max.: 260 +/-5°C, 5 +/-1sec.
Switching function:	on - on
Material:	Terminal / contact: phosphor bronze, gold plated Lever: PBT resin, black Frame: brass, nickel plated Case: PBT resin, gray

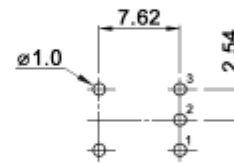


Tolerances:		Date	Name	ASL 1 D-RA
		05/06	dr	
		knitter-switch		30 08 80
Soldering conditions	10/06	dr		Page 1/1
Modifications	Date	Name		

knitter-switch



P.C. MOUNTING



SWITCH FUNCTION

Model No.	POS. 1	POS. 2
ASL 1 D	ON	ON
Term. Conn.	2-1	2-3

Specifications:

Contact rating:	max. 50 mA, 48 V AC/DC min. 1 μ A, 20 mV AC/DC
Contact resistance:	50 mOhm max. (at 1.5mA, 200 μ V DC)
Insulation resistance:	500 MOhm min. at 500 V DC
Dielectric strength:	500 V AC for 1 minute
Operating temperature:	-20°C to +80°C
Mechanical life:	40 000 cycles min.
Operating force:	70-500 gf
Soldering conditions:	pre-heat: max. 100°C, max. 60 sec. wave: max. 260°C, max. 5 sec.
Material:	Actuator: PBT, black Frame: brass, nickel plated Case: glass filled nylon 6/6, flame retardant, heat stabilized (UL94V-0), colour: grey Contact / terminals: phosphor bronze, gold plated over nickel Terminal seal: epoxy

Compliance: RohS III (2015/863/EU)

Tolerances: 0.00: \pm 0.25 mm 0.0: \pm 0.40 mm	Date	Name	<h2>ASL 1 D-RA</h2>
	07/22	dr	
Modifications	Date	Name	

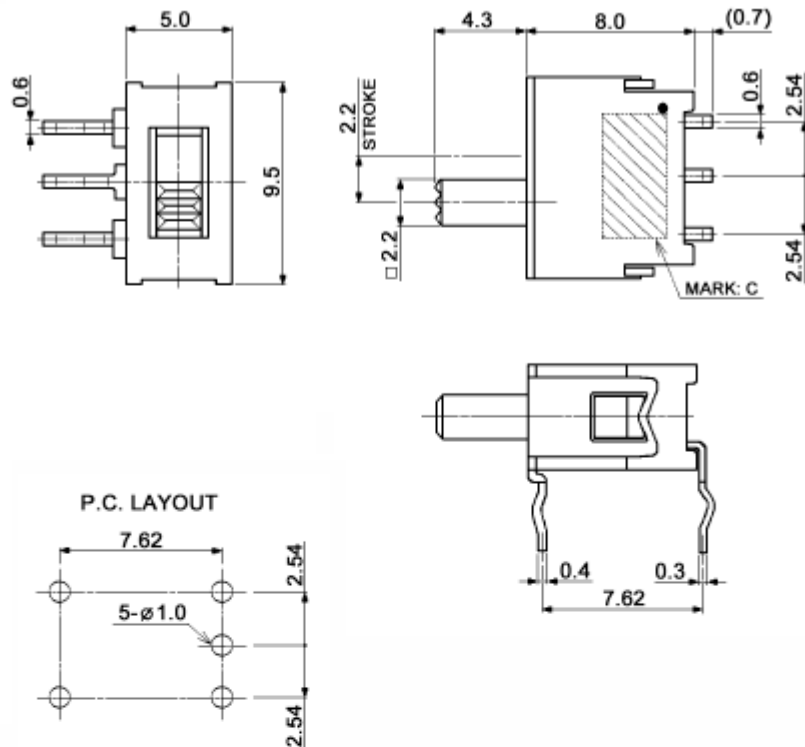
knitter-switch

30 48 31

Page

1/1

knitter-switch



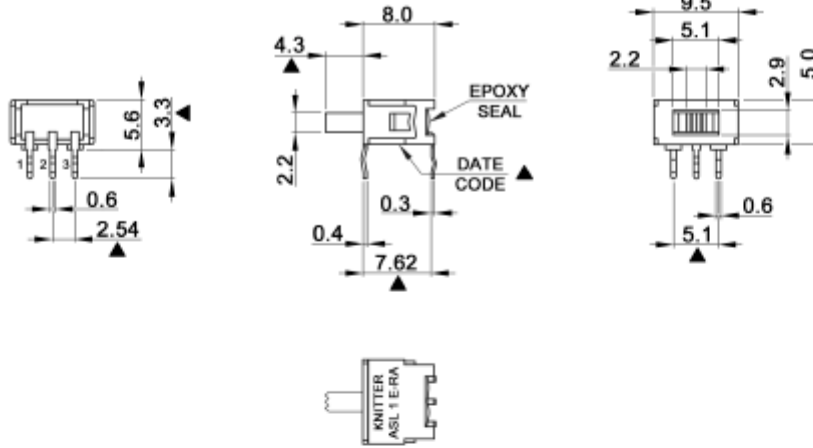
Specifications:

- Contact rating: max. 50mA, 48V AC/DC; min. 1µA, 20mV AC/DC
- Contact resistance: 50mOhm max. at 1.5mA, 200µA AC
- Insulation resistance: 500MOhm min. at 250V DC
- Dielectric strength: 250V AC for 1 minute
- Temperature range: -20°C to +80°C
- Mechanical life: max. rating: 10 000 cycles; min. rating: 50 000 cycles
- Operating force: 70 - 500gf
- Mounting: on pc-board
- Soldering conditions: auto-soldering: max.: 260 +/-5°C, 5 +/-1sec.
- Switching function: on - off - on
- Material: Terminal / contact: phosphor bronze, gold plated
Lever: PBT resin, black
Frame: brass, nickel plated
Case: PBT resin, gray

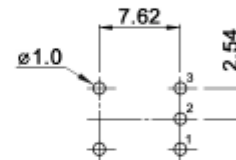


Tolerances:		Date	Name	<h2>ASL 1 E-RA</h2>
		05/06	dr	
		knitter-switch		<h2>30 08 81</h2>
Soldering conditions	10/06	dr		Page 1/1
Modifications	Date	Name		

knitter-switch



P.C. MOUNTING



SWITCH FUNCTION

Model No.	POS. 1	POS. 2	POS. 3
ASL 1 E	ON	OFF	ON
Term. Conn.	2-1	OPEN	2-3

Specifications:

Contact rating:	max. 50 mA, 48 V AC/DC min. 1 μ A, 20 mV AC/DC
Contact resistance:	50 mOhm max. (at 1.5mA, 200 μ V DC)
Insulation resistance:	500 MOhm min. at 500 V DC
Dielectric strength:	500 V AC for 1 minute
Operating temperature:	-20°C to +80°C
Mechanical life:	40 000 cycles min.
Operating force:	70-500 gf
Soldering conditions:	pre-heat: max. 100°C, max. 60 sec. wave: max. 260°C, max. 5 sec.
Material:	Actuator: PBT, black Frame: brass, nickel plated Case: glass filled nylon 6/6, flame retardant, heat stabilized (UL94V-0), colour: grey Contact / terminals: phosphor bronze, gold plated over nickel Terminal seal: epoxy

Compliance: RohS III (2015/863/EU)

Tolerances: 0.00: ± 0.25 mm 0.0: ± 0.40 mm	Date	Name
	07/22	dr

ASL 1 E-RA

knitter-switch

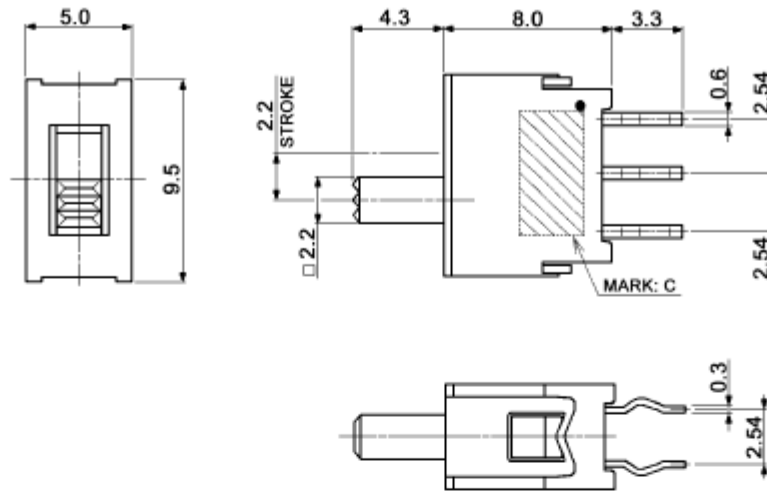
30 48 30

Page

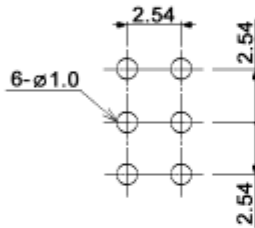
1/1

Modifications	Date	Name

knitter-switch



P.C. LAYOUT



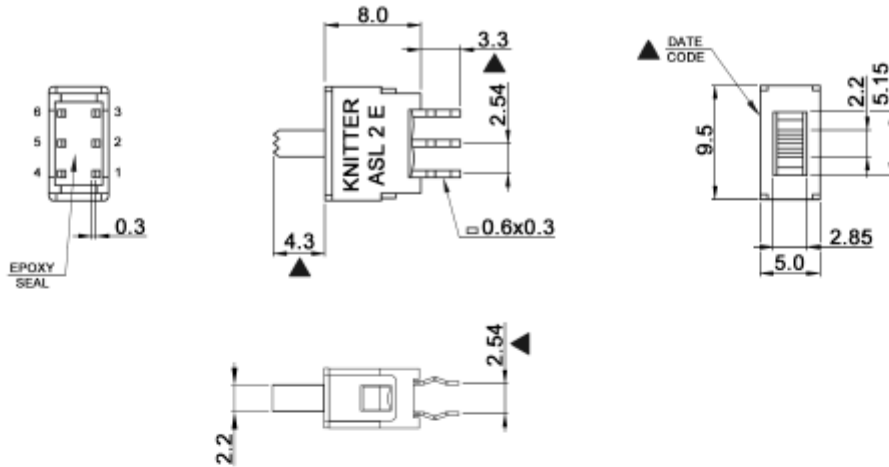
Specifications:

Contact rating: max. 50mA, 48V AC/DC; min. 1µA, 20mV AC/DC
 Contact resistance: 50mOhm max. at 1.5mA, 200µA AC
 Insulation resistance: 500MOhm min. at 250V DC
 Dielectric strength: 250V AC for 1 minute
 Temperature range: -20°C to +80°C
 Mechanical life: max. rating: 10 000 cycles; min. rating: 50 000 cycles
 Operating force: 70 - 500gf
 Mounting: on pc-board
 Soldering conditions: auto-soldering: max.: 260 +/-5°C, 5 +/-1sec.
 Switching function: on - off - on
 Material: Terminal / contact: phosphor bronze, gold plated
 Lever: PBT resin, black
 Frame: brass, nickel plated
 Case: PBT resin, gray



Tolerances:		Date	Name	ASL 2 E
		05/06	dr	
		knitter-switch		30 08 83
Soldering conditions	10/06	dr		Page 1/1
Modifications	Date	Name		

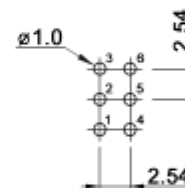
knitter-switch



SWITCH FUNCTION

Model No.	POS. 1	POS. 2	POS. 3
ASL 2 E	ON	OFF	ON
Term. Conn.	2-1, 5-4	OPEN	2-3, 5-6

P.C. MOUNTING



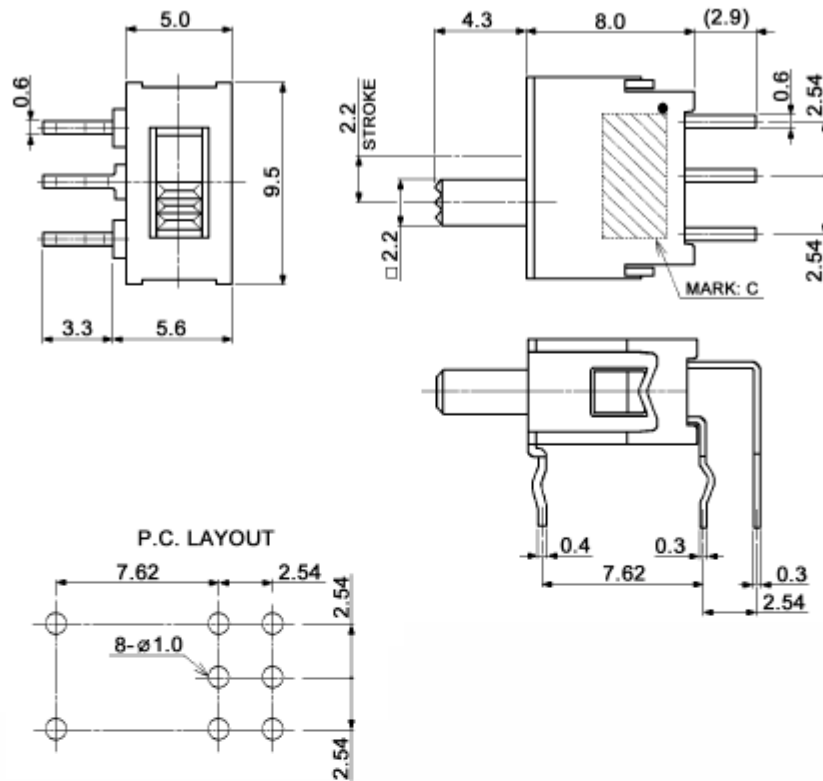
Specifications:

Contact rating:	max. 50 mA, 48 V AC/DC min. 1 μ A, 20 mV AC/DC
Contact resistance:	50 mOhm max. (at 1.5mA, 200 μ V DC)
Insulation resistance:	500 MOhm min. at 500 V DC
Dielectric strength:	500 V AC for 1 minute
Operating temperature:	-20°C to +80°C
Mechanical life:	40 000 cycles min.
Operating force:	70-500 gf
Soldering conditions:	pre-heat: max. 100°C, max. 60 sec. wave: max. 260°C, max. 5 sec.
Material:	Actuator: PBT, black Frame: brass, nickel plated Case: glass filled nylon 6/6, flame retardant, heat stabilized (UL94V-0), colour: grey Contact / terminals: phosphor bronze, gold plated over nickel Terminal seal: epoxy

Compliance: RohS III (2015/863/EU)

Tolerances: 0.00: \pm 0.25 mm 0.0: \pm 0.40 mm	Date 07/22	Name dr	<h1>ASL 2 E</h1>
			<h2>30 48 28</h2>
knitter-switch			Page 1/1
Modifications	Date	Name	

knitter-switch



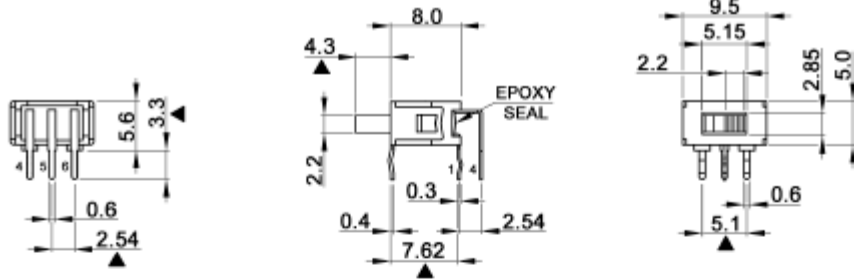
Specifications:

Contact rating: max. 50mA, 48V AC/DC; min. 1µA, 20mV AC/DC
Contact resistance: 50mOhm max. at 1.5mA, 200µA AC
Insulation resistance: 500MOhm min. at 250V DC
Dielectric strength: 250V AC for 1 minute
Temperature range: -20°C to +80°C
Mechanical life: max. rating: 10 000 cycles; min. rating: 50 000 cycles
Operating force: 70 - 500gf
Mounting: on pc-board
Soldering conditions: auto-soldering: max.: 260 +/-5°C, 5 +/-1sec.
Switching function: on - on
Material: Terminal / contact: phosphor bronze, gold plated
 Lever: PBT resin, black
 Frame: brass, nickel plated
 Case: PBT resin, gray



Tolerances:		Date	Name	ASL 2 D-RA
		05/06	dr	
		knitter-switch		30 08 84
Soldering conditions	10/06	dr		Page 1/1
Modifications	Date	Name		

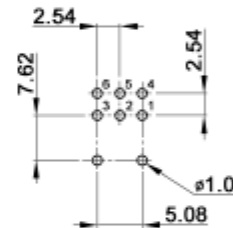
knitter-switch



SWITCH FUNCTION

Model No.	POS. 1	POS. 2
ASL 2 D	ON	ON
Term. Conn.	2-1, 5-4	2-3, 5-6

P.C. MOUNTING



Specifications:

Contact rating:	max. 50 mA, 48 V AC/DC min. 1 μ A, 20 mV AC/DC
Contact resistance:	50 mOhm max. (at 1.5mA, 200 μ V DC)
Insulation resistance:	500 MOhm min. at 500 V DC
Dielectric strength:	500 V AC for 1 minute
Operating temperature:	-20°C to +80°C
Mechanical life:	40 000 cycles min.
Operating force:	70-500 gf
Soldering conditions:	pre-heat: max. 100°C, max. 60 sec. wave: max. 260°C, max. 5 sec.
Material:	Actuator: PBT, black Frame: brass, nickel plated Case: glass filled nylon 6/6, flame retardant, heat stabilized (UL94V-0), colour: grey Contact / terminals: phosphor bronze, gold plated over nickel Terminal seal: epoxy

Compliance: RohS III (2015/863/EU)

Tolerances: 0.00: ± 0.25 mm 0.0: ± 0.40 mm	Date	Name	ASL 2 D-RA
	07/22	dr	
Modifications	Date	Name	

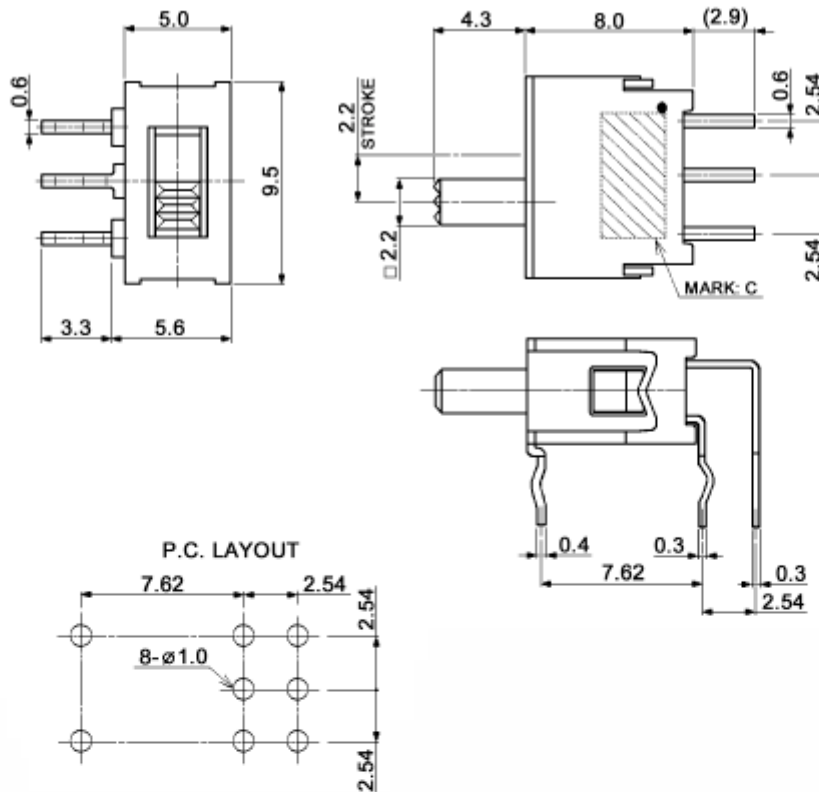
knitter-switch

30 48 27

Page

1/1

knitter-switch



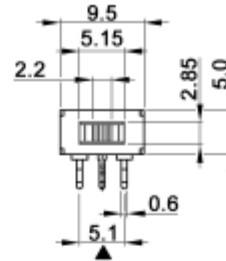
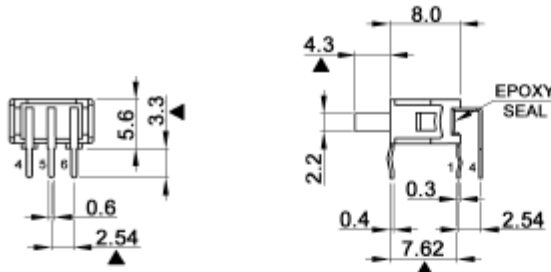
Specifications:

Contact rating: max. 50mA, 48V AC/DC; min. 1 μ A, 20mV AC/DC
 Contact resistance: 50mOhm max. at 1.5mA, 200 μ A AC
 Insulation resistance: 500MOhm min. at 250V DC
 Dielectric strength: 250V AC for 1 minute
 Temperature range: -20°C to +80°C
 Mechanical life: max. rating: 10 000 cycles; min. rating: 50 000 cycles
 Operating force: 70 - 500gf
 Mounting: on pc-board
 Soldering conditions: auto-soldering: max.: 260 +/-5°C, 5 +/-1sec.
 Switching function: on - off - on
 Material: Terminal / contact: phosphor bronze, gold plated
 Lever: PBT resin, black
 Frame: brass, nickel plated
 Case: PBT resin, gray



Tolerances:		Date	Name	ASL 2 E-RA
		05/06	dr	
		knitter-switch		30 08 85
Soldering conditions	10/06	dr		Page 1/1
Modifications	Date	Name		

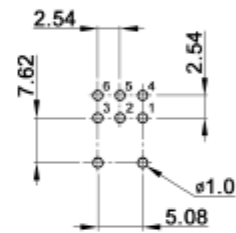
knitter-switch



SWITCH FUNCTION

Model No.	POS. 1	POS. 2	POS. 3
ASL 2 E	ON	OFF	ON
Term. Conn.	2-1, 5-4	OPEN	2-3, 5-6

P.C. MOUNTING



Specifications:

Contact rating:	max. 50 mA, 48 V AC/DC min. 1 μ A, 20 mV AC/DC
Contact resistance:	50 mOhm max. (at 1.5mA, 200 μ V DC)
Insulation resistance:	500 MOhm min. at 500 V DC
Dielectric strength:	500 V AC for 1 minute
Operating temperature:	-20°C to +80°C
Mechanical life:	40 000 cycles min.
Operating force:	70-500 gf
Soldering conditions:	pre-heat: max. 100°C, max. 60 sec. wave: max. 260°C, max. 5 sec.
Material:	Actuator: PBT, black Frame: brass, nickel plated Case: glass filled nylon 6/6, flame retardant, heat stabilized (UL94V-0), colour: grey Contact / terminals: phosphor bronze, gold plated over nickel Terminal seal: epoxy

Compliance: RohS III (2015/863/EU)

Tolerances: 0.00: ± 0.25 mm 0.0: ± 0.40 mm	Date 07/22	Name dr	ASL 2 E-RA
			30 48 26
			Page 1/1
Modifications	Date	Name	

knitter-switch

30 48 26

Page

1/1