

knitter-switch

Product Change Notice P04-2022

Products affected: TMSE10 J-RA

Effectivity date: after current stock is sold

Details:

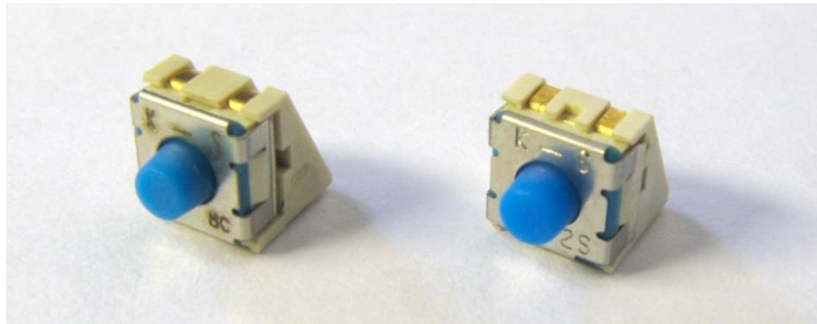
In course of relocation of production the design has completely been revised and updated.

There are no relevant changes in outer dimensions and specification.

The packing changes: The reel has been changed to the standardized diameter of 330 mm and the packing unit is now 900 pcs per reel (previously 200 pcs).

The width of carrier tape, pitch of pockets and the orientation of the switch in the carrier tape remain unchanged.

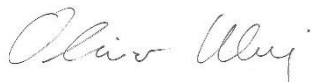
For comparison, please find both old and new data-sheet attached.



Old version
Drawing 300748

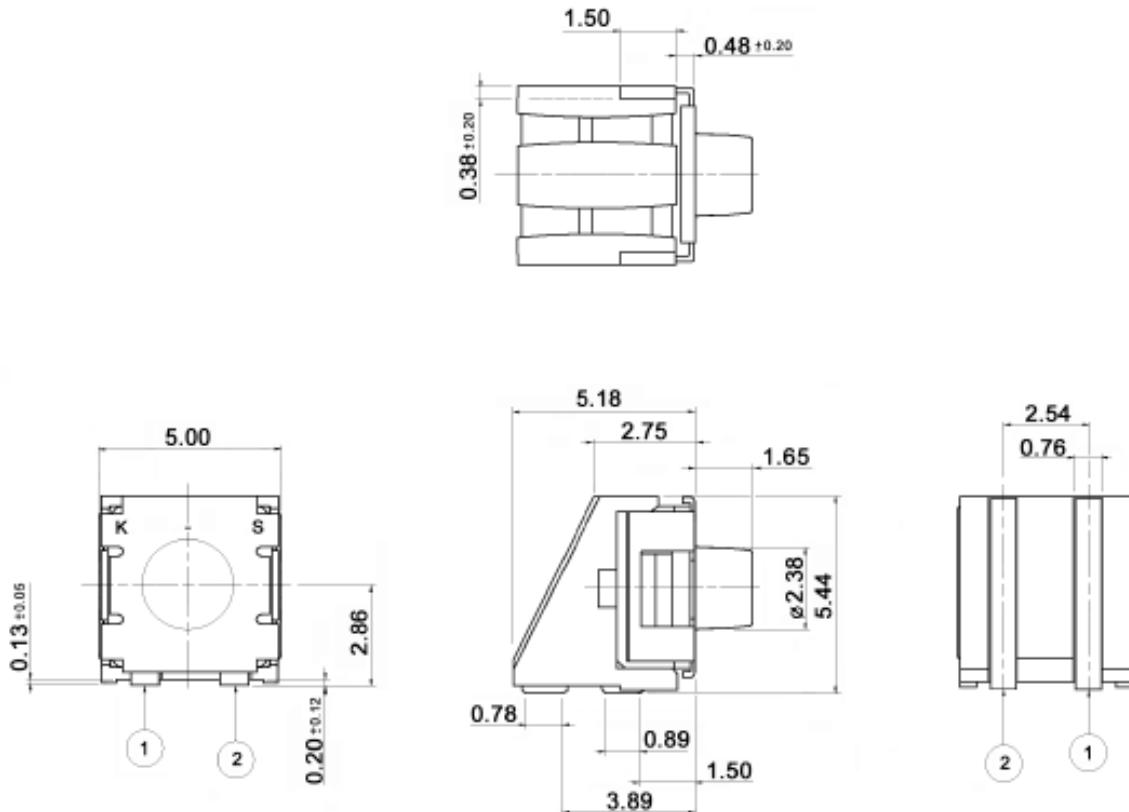
New version
Drawing 304776

knitter-switch - Baldham, March 2022



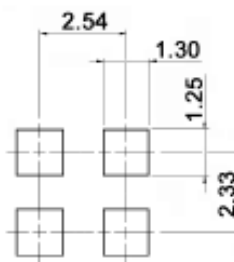
Oliver Kluj
Technical Director

knitter-switch

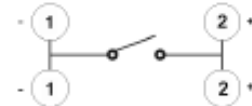


Month	Date code 2-digit
Jan	A
Feb	B
Mar	C
Apr	E
May	F
Jun	G
Jul	H
Aug	J
Sep	N
Oct	P
Nov	S
Dec	T

P.C. LAYOUT



SCHEMATIC



2-digit date code:
 - first digit indicates year of manufacture
 - second digit indicates month of manufacture



Tolerances: ±0.30mm except where noted			Date	Name	TMSE 10 J-RA
			12/05	dr	
Tolerances	11/11	dr			
Dimension	11/10	dr			
Dimensions	07/10	dr			
Digit date code	11/09	dr			
Material	10/06	dr			
Modifications	Date	Name			

knitter-switch

30 07 48

Page

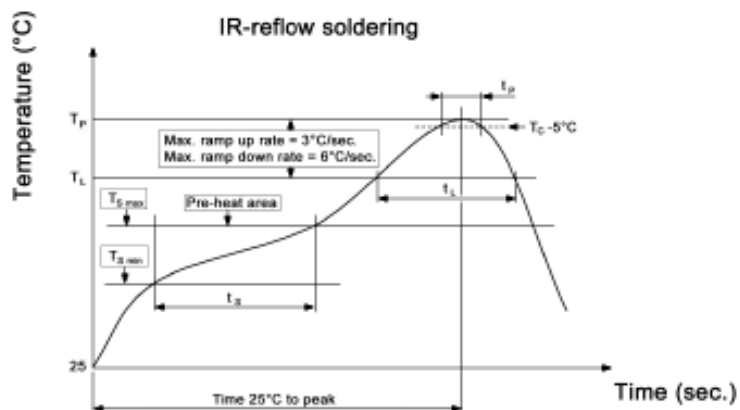
1/3

knitter-switch

Specifications:

Contact rating:	24V DC, 100mA max.
Contact resistance:	<100mOhm
Insulation resistance:	>100MOhm at 500V DC
Dielectric strength:	250V AC, 50Hz for the duration of 1 minute
Operating temperature:	-55°C to +125°C
Electrical life:	min. 100 000 cycles
Operating force:	3 +/-1N
Contacts:	silver plated
Terminals:	gold plated
Mounting:	on pc-board - SMD
Material:	Cover: stainless steel Base: high-temp. thermoplastic nylon meets UL94V-0, washable Stem: silicone rubber

Soldering conditions:



$T_p = 260^\circ\text{C}$
 $t_p = 10\text{sec. max.}$

$T_L = 217^\circ\text{C}$
 $t_L = 90\text{sec. max.}$

$T_{S \text{ max}} = 200^\circ\text{C}$
 $T_{S \text{ min}} = 150^\circ\text{C}$
 $t_S = 120\text{sec. max.}$



Tolerances: $\pm 0.20\text{mm}$ except where noted	Date	Name
	12/05	dr

TMSE 10 J-RA

knitter-switch

30 07 48

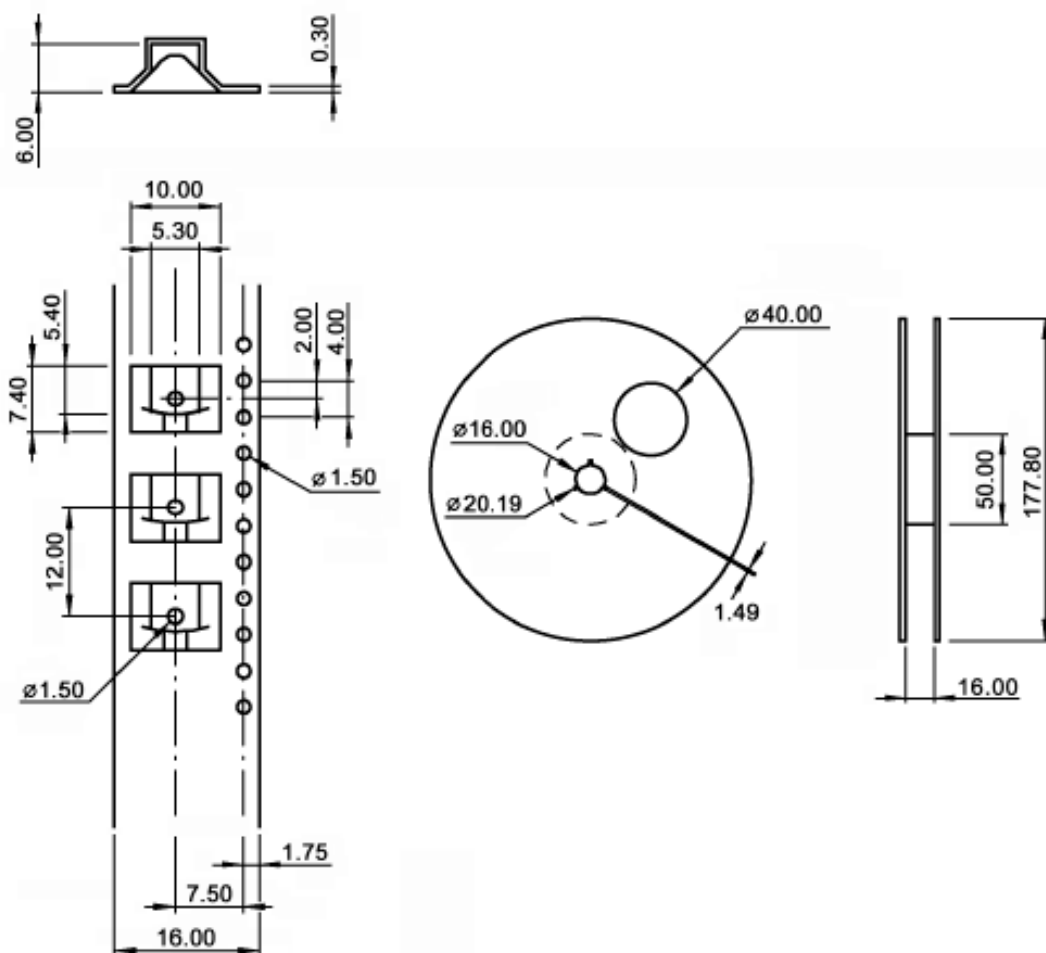
Page

2/3

Modifications	Date	Name
---------------	------	------

knitter-switch

Packaging:



Packaging unit: 200 pcs. / reel



Tolerances: $\pm 0.20\text{mm}$ except where noted	Date	Name
	12/05	dr

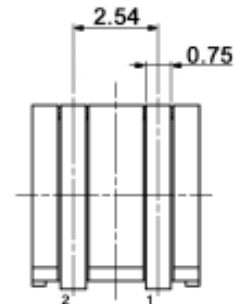
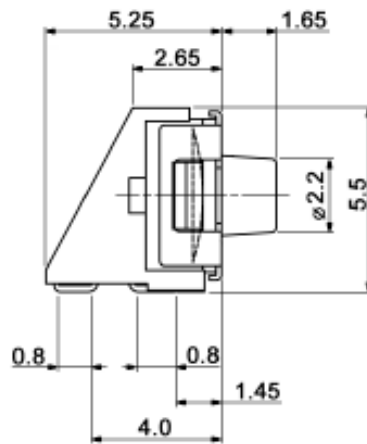
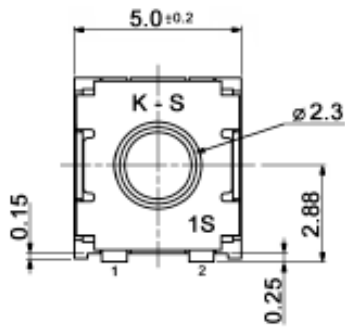
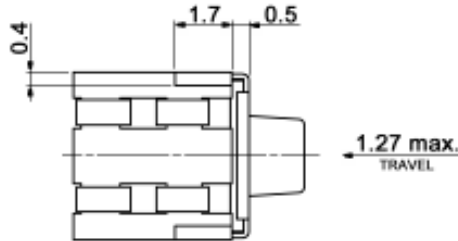
TMSE 10 J-RA

			knitter-switch	30 07 48	Page
					3/3
Modifications	Date	Name			

30 07 48

Page
3/3

knitter-switch



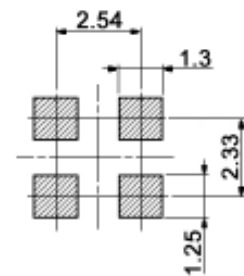
Month	Date code 2-digit
Jan	A
Feb	B
Mar	C
Apr	E
May	F
Jun	G
Jul	H
Aug	J
Sep	N
Oct	P
Nov	S
Dec	T

2-digit date code:
 - first digit indicates year of manufacture
 - second digit indicates month of manufacture

CIRCUIT DIAGRAM



P.C.B. LAND DIMENSIONS



Compliance: RohS III (2015/863/EU)

Tolerances:	Date	Name
up to 10: ±0.2 mm	03/22	dr
above 10-50: ±0.3 mm		

TMSE 10 J-RA

knitter-switch

30 47 76

Page

1/3

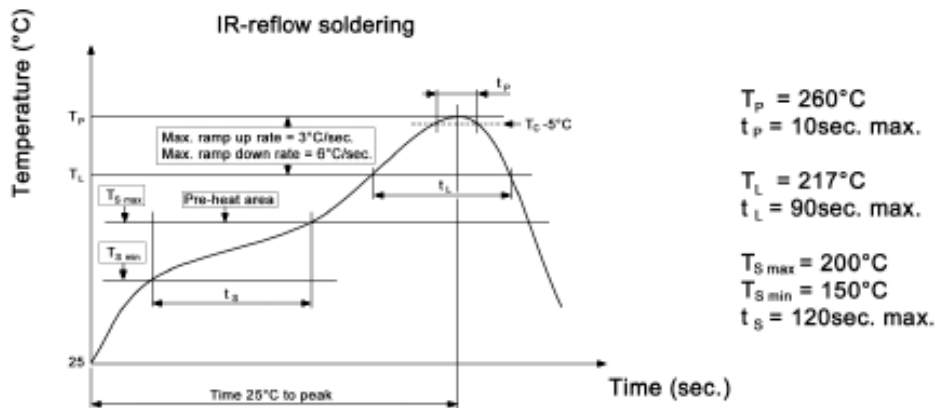
Modifications Date Name

knitter-switch

Specifications:

Contact rating:	100 mA, 24 V DC
Contact resistance:	100 mOhm max.
Insulation resistance:	100 MOhm min. at 500 V DC for 1 minute
Dielectric strength:	250 V AC (50/60 Hz, 2 mA) for 1 minute
Operating temperature:	-55°C to +125°C
Mechanical life:	100 000 cycles
Operating force:	300 +/-100 gf
Material:	Housing: LCP, white
	Cover: SUS, washing
	Contact plate: SUS, silver plated
	Stem: silicone rubber, blue
	Case: LCP, white
	Terminal: brass, gold plated

Soldering conditions:



Compliance: RohS III (2015/863/EU)

Tolerances: up to 10: ±0.2 mm above 10-50: ±0.3 mm		Date	Name	TMSE 10 J-RA
		03/22	dr	
Modifications	Date	Name		

knitter-switch

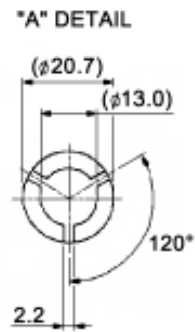
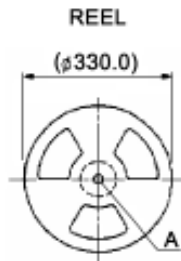
30 47 76

Page

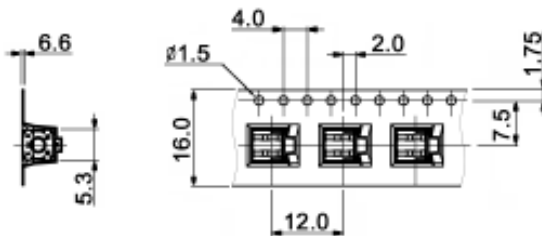
2/3

knitter-switch

Packaging:



CARRIER TAPE



COVER TAPE



Packaging unit: 900 pcs. / reel
Compliance: RohS III (2015/863/EU)

Tolerances: up to 10: ±0.2 mm above 10-50: ±0.3 mm	Date	Name
	03/22	dr

TMSE 10 J-RA

knitter-switch

30 47 76

Page
3/3

Modifications Date Name