

Product Change Notification

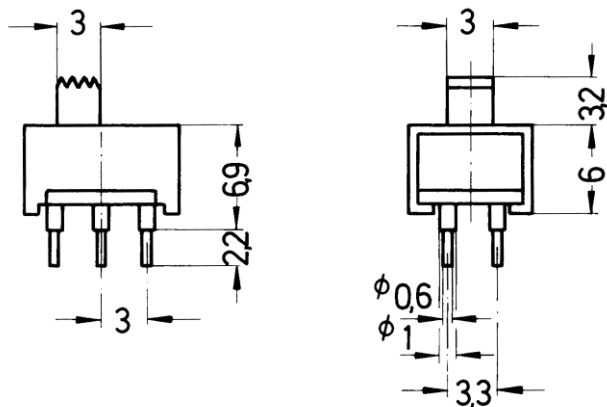
Product affected: MFP 191, MFP 191 DO, MFP 291 N

Effective date: from production date August 2008

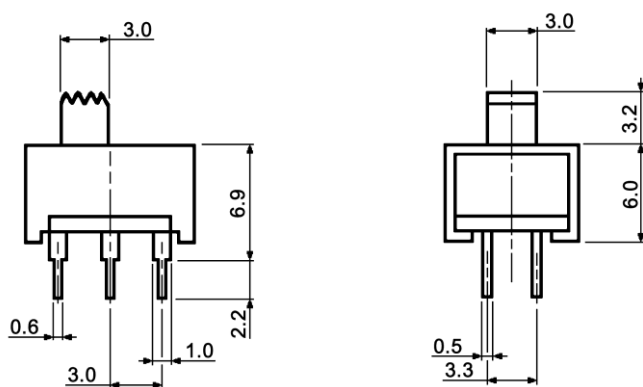
Details:

Terminals are changed from round riveted pin to flat pressed pin

Old style



New style



knitter-switch, August 2008

Oliver Kluj