

## Product Change Notification

Product affected: ET 207  
Color and finish modification

Effective date: Janaury 2008 - production date

### Details:

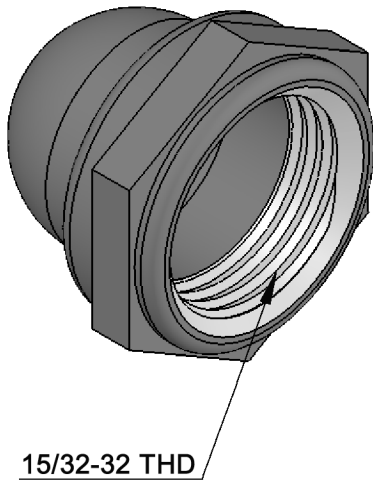
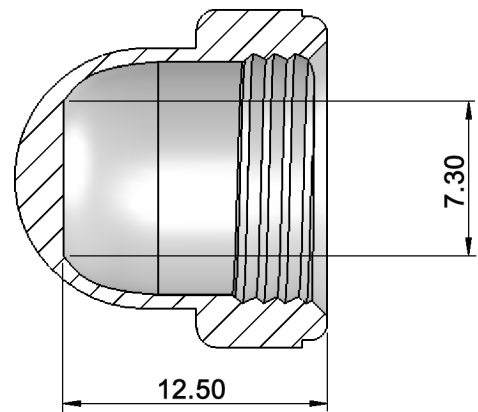
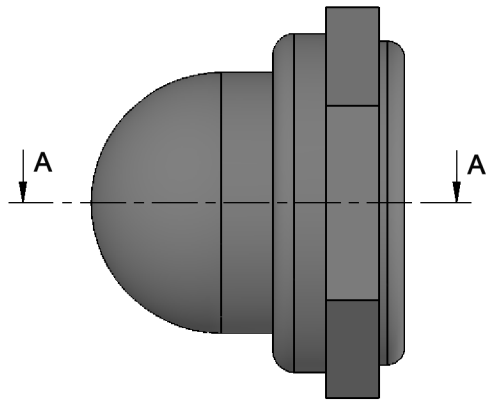
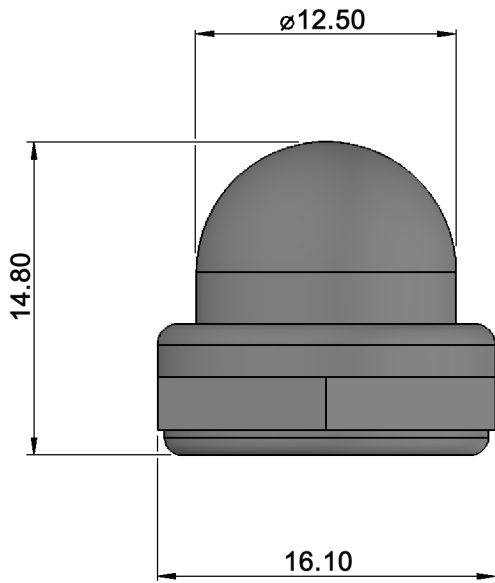
There is a slight color and finish modification on the ET 207 Sealing cap due to a change in the production location.

New version: brighter grey, more shiny finish



knitter switch, January 2008

*Regina Sedlmair*



Material: silicon rubber compound TSE 221



Tolerances: 0.00: $\pm 0.05\text{mm}$ 0.0: $\pm 0.10\text{mm}$		Date	Name	<h1>ET 207</h1>	
		01/08	dr		
			<b>knitter-switch</b>	<h1>30 13 44</h1>	
Modifications	Date	Name		1/1	