

# knitter-switch

## Product-Discontinuation Notification

Affected Product: LDE 46, LDE 46-24, LDE 46-24 S, LDE 46 S

Effective Date: after stock is sold out

Details:

Due to obsolescence of semiconductor we are no longer able to supply the above part numbers.

The successors come with an internal gasket instead of a plastic lens providing sealing in order to improve sealing reliability and brilliance.

Also the panel hole changes from par 9 mm to 8 mm.



LDE 46  
drawing 300127/LDE36

LDE 46 N  
drawing 303681

Details are shown in the attached data-sheets. Specification comparison chart:

	<u>old</u>	<u>new</u>
Power dissipation, max. [mW]	125	105
Forward voltage, typ. [V]	2.1	2.2
Forward current, max. [mA]	20	25
Peak emission wave length, typ. [nm]	555	565
Luminous Intensity at 10 mA, typ. (mcd)	12	n.a.
Luminous efficiency [lm/W]	n. a.	660
Reverse voltage [V]	4	5
Reverse current [ $\mu$ A]	100	10
Operating temperature [°C]	-30/+85	-45/+85
IP rating:	"waterproof"	IP 54

# knitter-switch

Part number (ordering code) transition is:

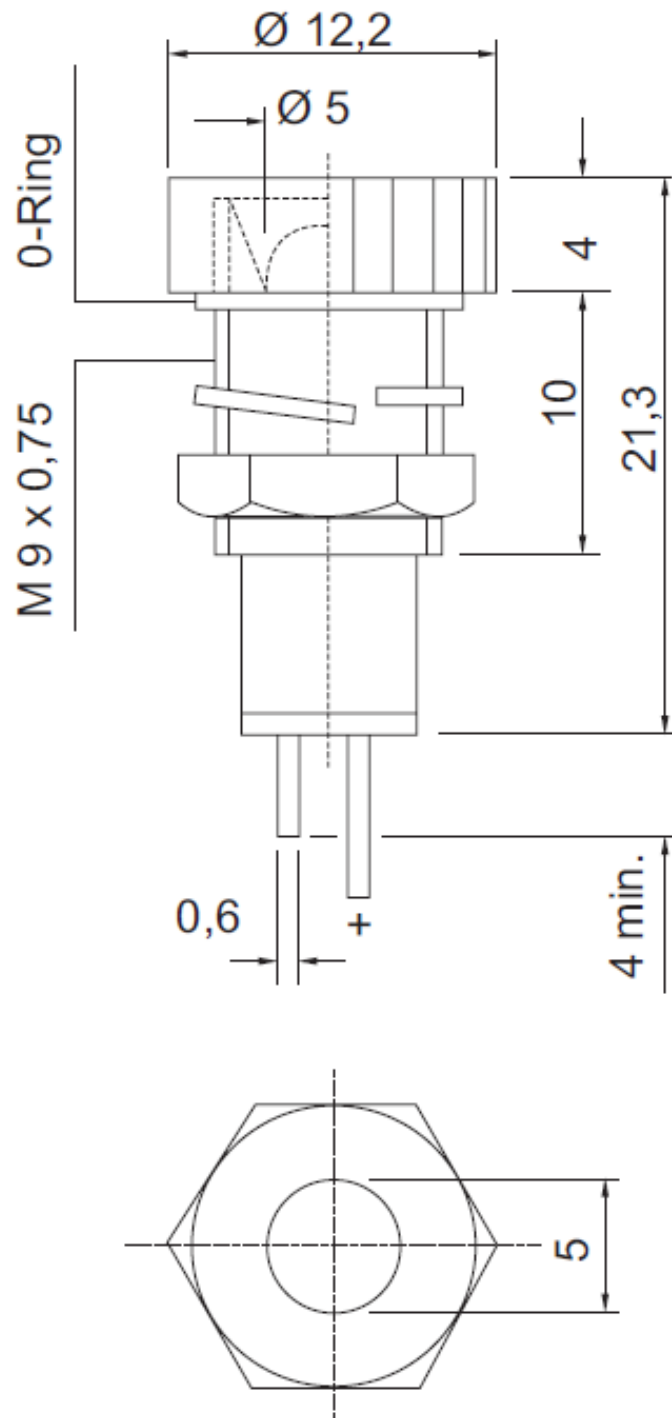
<u>Old</u>	<u>New</u>
LDE 46	LDE 46 N
LDE 46-24	LDE 46-24 N
LDE 46 S	LDE 46 S N
LDE 46 S-24	LDE 46 S-24 N

knitter-switch, October 2016



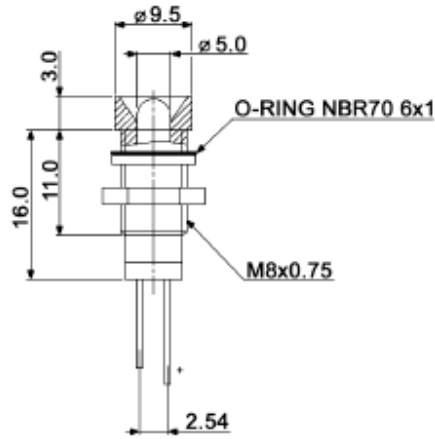
Oliver Kluj  
Technical Director

# knitter-switch



Element	Anzahl	TeilName, Kennzeichnung, Material, Bemäßung etc.			Artikel-Nr./Referenz	
		Lumineszenzdioden im Gehäuse			30 01 27	
Entworfen von WI		Geprüft von Xxx	Genehmigt von -Datum HPK-	Dat./Name LDE36.CDR	Datum 09.06.1999	Maßstab 4 : 1
<b>knitter-switch</b>				Modell LDE 36		
				Version 1	Blatt 1 / 1	

# knitter-switch



x	Case
(empty)	brass, chromium plated
S	brass, chromium black plated

## Specifications:

Power dissipation:	105mW
Forward voltage:	2.2V; max. 2.5V
Forward current:	25mA max.
Luminous efficiency:	660lm/W
Peak emission wavelength:	565nm
Reverse voltage:	5V
Reverse current:	10µA
Operating temperature:	-45°C to +85°C
IP class:	IP54
Compliance:	RohS II (2011/65/EU)

Tolerances: ±0.25mm	Date	Name	<b>LDE 46 x-N</b>
	09/16	dr	
			<b>30 36 81</b>
			Page
			1/1
Modifications	Date	Name	