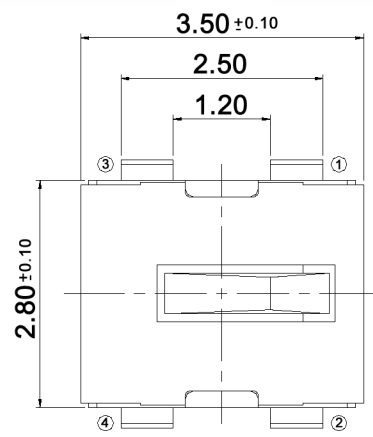
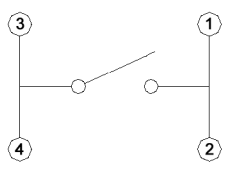
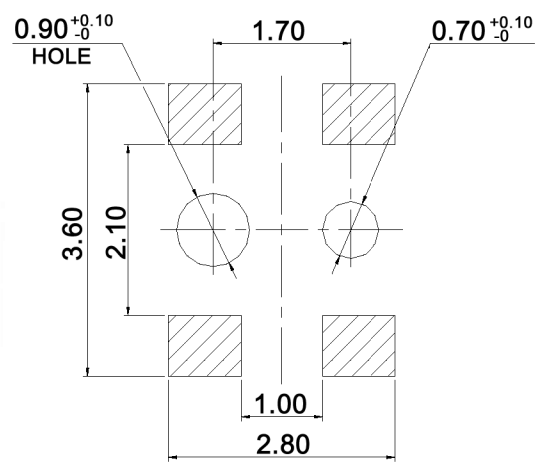


CIRCUIT DIAGRAM



P.C.B. LAYOUT



Specifications:

- Contact rating:** 1mA, 5V DC; (10mA, 36V DC with reduced electrical life of 500 cycles)
- Contact resistance:** 20Ohm max.
- Insulation resistance:** 100MOhm min. at 100V DC
- Dielectric strength:** 100V AC for 1 minute
- Operating temperature:** -40°C to +85°C
- Storage temperature:** -40°C to +85°C
- Operating force:** 50gf max.
- Stroke:** 1.03mm max.
- Electrical life:** 100 000 cycles
- Protection:** IP 40
- Contact arrangement:** 1 pole 1 throw
- Material:**
 - Cover: stainless steel
 - Contact: phosphor bronze with silver plated
 - Terminal: brass with silver plated
 - Base / stem: LCP high-temp. thermoplastic, black

Compliance: RohS II (2011/65/EU)

Tolerances: ±0.20mm	Date	Name
	01/09	dr
Rename	06/16	dr
Temperatures	10/10	dr
Modifications	Date	Name

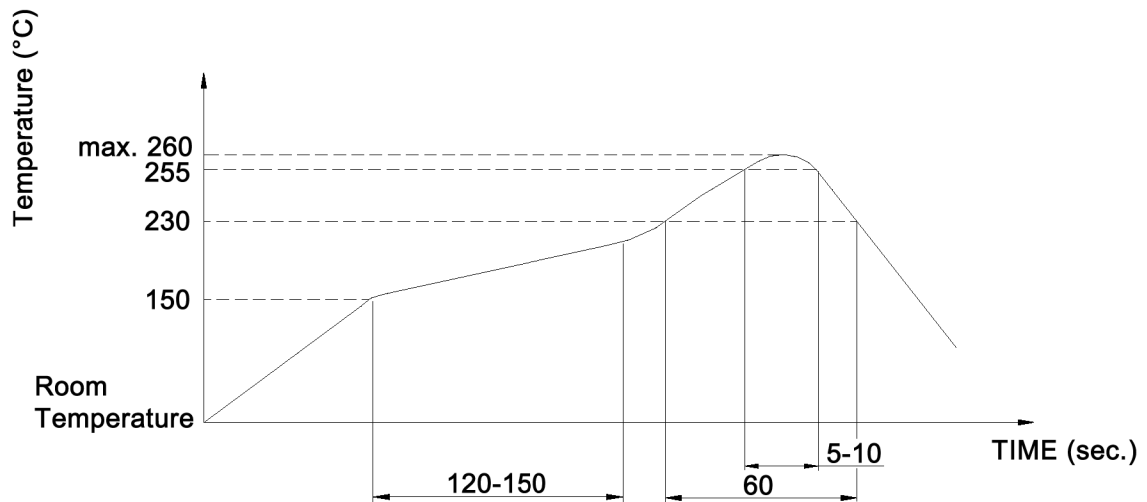
DTS 201 CP-T

knitter-switch

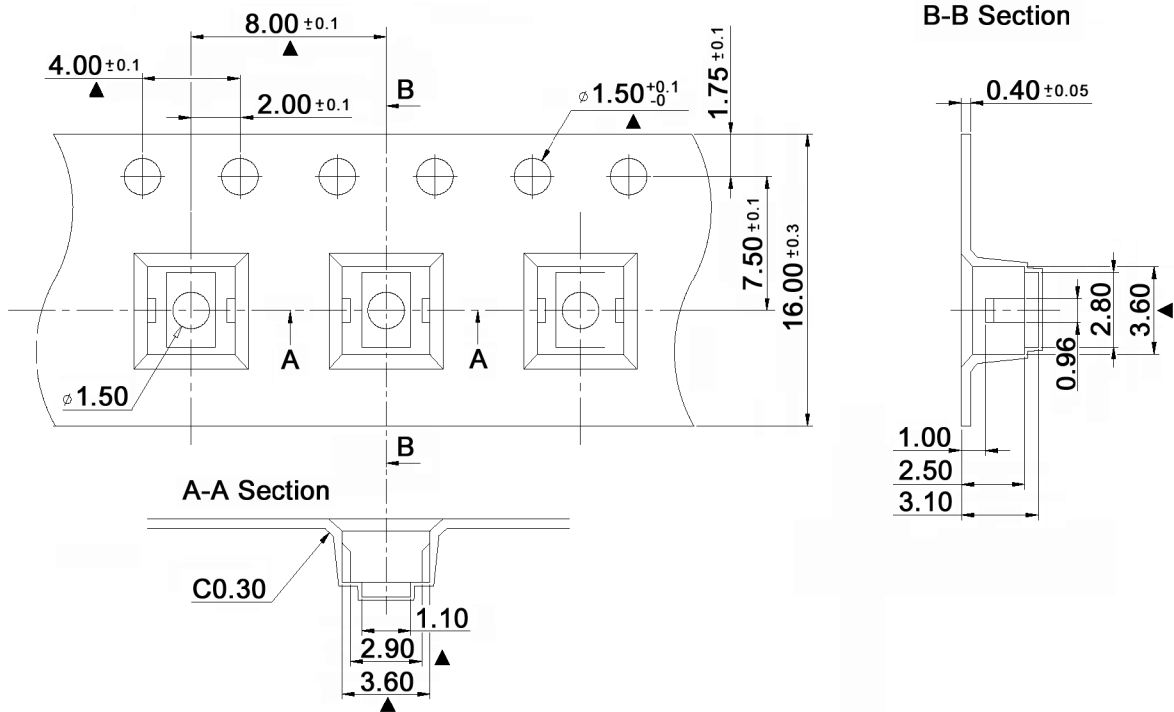
30 17 02

Page
1/2

Soldering conditions:



Packaging:



Packaging unit: 2 600 pcs. / reel
Compliance: RohS II (2011/65/EU)

Tolerances: $\pm 0.10\text{mm}$			Date	Name	<h1>DTS 201 CP-T</h1>
			01/09	dr	
			knitter-switch		<h2>30 17 02</h2>
Modifications		Date	Name		Page 2/2