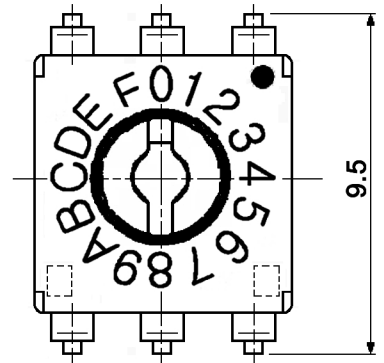
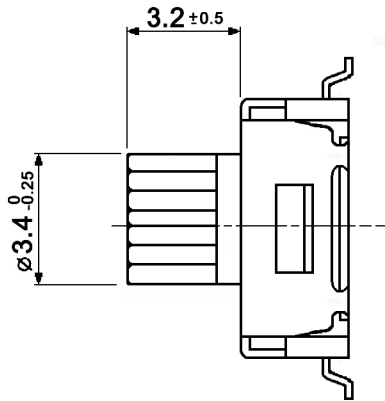


YM = date code



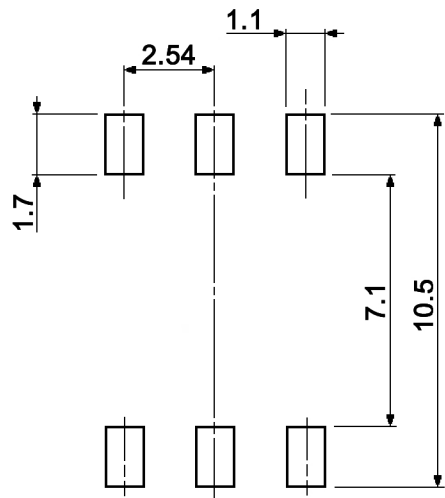
Y Manufacturing year

8	2008
9	2009
0	2010
1	2011
2	2012

M Manufacturing month

1	January
...	...
9	September
0	October
N	November
D	December

SURFACE MOUNT PAD LAYOUT



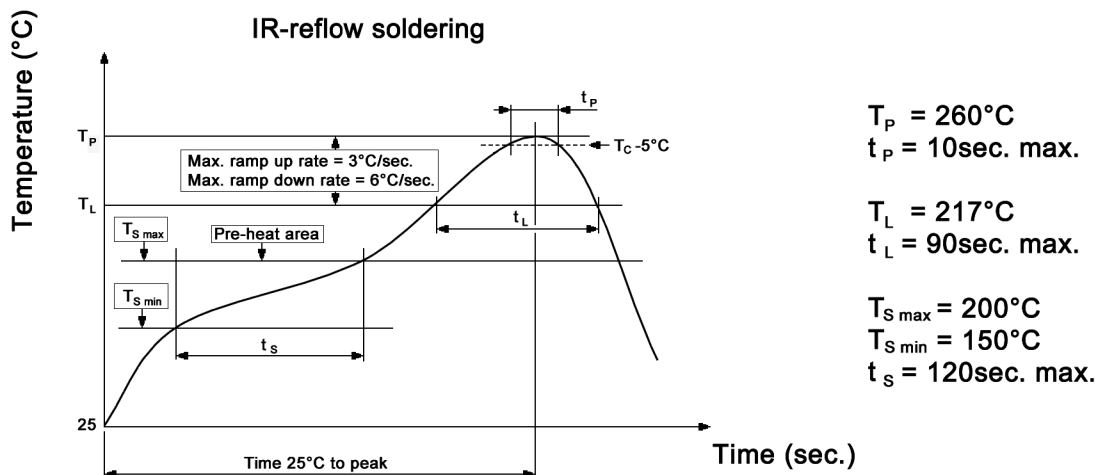
Compliance: RohS III (2015/863/EU)

Tolerances:	Date	Name	SMR 13110/13116/14016/14110/14116
	10/22	dr	
			knitter-switch
			30 49 03
Modifications	Date	Name	Page
			1/4

Specifications:

Contact rating: max.: non-switching: 100mA, 50V DC
 switching: 100mA, 5V DC
 min.: 1µA, 20mV AC or DC
Contact resistance: 200mOhm max. at 1.5mA; 0.2mV AC (1kHz)
Insulation resistance: 1 000MOhm min. at 100V DC
Dielectric strength: 250V AC for 1 minute
Operating temperature: -40°C to +85°C
Storage temperature: -40°C to +85°C
Mechanical life: 20 000 cycles min.
Operating force: 24.5mN.m max.
Contact system: self-cleaning sliding contacts
Sealing: by O-ring, washable by aqueous detergents and isopropyl alcohol
Material: Terminal: phosphor bronze, gold over nickel plated
 Base: liquid crystal polymer, black
 Frame: stainless steel
 Rotor: polyamide resin
 Fixed contact: phosphor bronze, gold over nickel plated
 Movable contact: beryllium copper, gold over nickel plated

Soldering conditions:



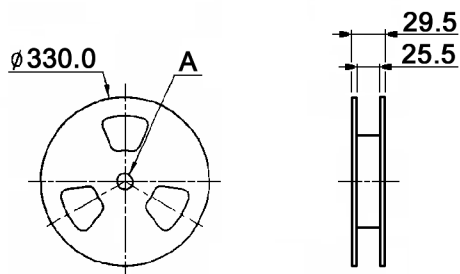
Compliance: RohS III (2015/863/EU)

Tolerances:	Date	Name	SMR 13110/13116/14016/14110/14116
	10/22	dr	
			30 49 03
			Page
			2/4
Modifications	Date	Name	

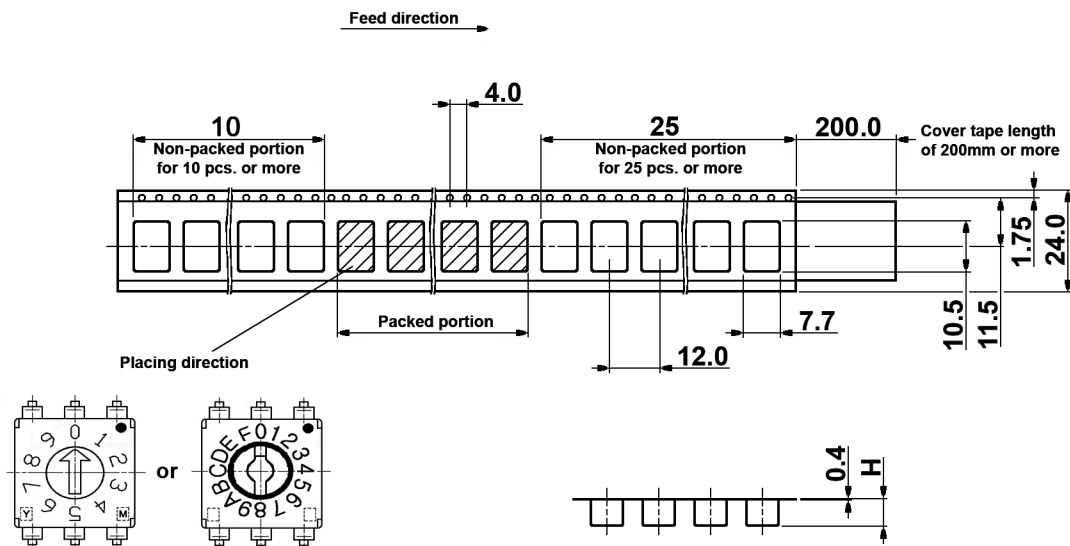
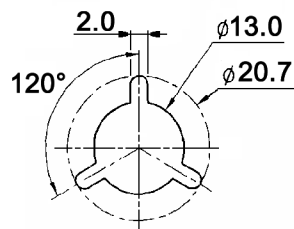
knitter-switch

Packaging:

REEL



DETAIL A



Series	H	Packaging unit
SMR 13000	3.8 mm	1000 pcs. / reel
SMR 14000	7.0 mm	500 pcs. / reel

Compliance: RohS III (2015/863/EU)

Tolerances:	Date	Name	SMR 13110/13116/14016/14110/14116
	10/22	dr	
Modifications	Date	Name	

knitter-switch

30 49 03

Page

3/4

		BCD				
		Real coded				
10 P o s i t i o n s		C	1	2	4	8
	0	●				
	1	●	●			
	2	●		●		
	3	●	●	●		
	4	●			●	
	5	●	●		●	
	6	●		●	●	
	7	●	●	●	●	
	8	●				●
9	●	●			●	

		Hexadecimal				
		Real coded				
16 P o s i t i o n s		C	1	2	4	8
	0	●				
	1	●	●			
	2	●		●		
	3	●	●	●		
	4	●			●	
	5	●	●		●	
	6	●		●	●	
	7	●	●	●	●	
	8	●				●
	9	●	●			●
	A	●		●		●
	B	●	●	●		●
	C	●			●	●
	D	●	●		●	●
	E	●		●	●	●
F	●	●	●	●	●	

		BCD inverse				
		Complement coded				
10 P o s i t i o n s		C	1	2	4	8
	0	●	●	●	●	●
	1	●				●
	2	●	●			●
	3	●			●	●
	4	●	●	●		●
	5	●		●		●
	6	●	●			●
	7	●				●
	8	●	●	●	●	
9	●		●	●		

		Hexadecimal inverse				
		Complement coded				
16 P o s i t i o n s		C	1	2	4	8
	0	●	●	●	●	●
	1	●		●		●
	2	●	●			●
	3	●			●	●
	4	●	●	●		●
	5	●		●		●
	6	●	●			●
	7	●				●
	8	●	●	●	●	
	9	●		●	●	
	A	●	●		●	
	B	●			●	
	C	●	●	●		
	D	●		●		
	E	●	●			
F	●					

Ordering code	Actuation	Code	Packing
SMR 14016	shaft	16 pos. real, ivory	65 pcs/tube
SMR 14016 T	shaft	16 pos. real, ivory	500 pcs/reel
SMR 13110	screw driver	10 pos. inverse, red	65 pcs/tube
SMR 13110 T	screw driver	10 pos. inverse, red	1000 pcs/reel
SMR 14110	shaft	10 pos. inverse, red	65 pcs/tube
SMR 14110 T	shaft	10 pos. inverse, red	500 pcs/reel
SMR 13116	screw driver	16 pos. inverse, red	65 pcs/tube
SMR 13116 T	screw driver	16 pos. inverse, red	1000 pcs/reel
SMR 14116	shaft	16 pos. inverse, red	65 pcs/tube
SMR 14116 T	shaft	16 pos. inverse, red	500 pcs/reel

Compliance: RohS III (2015/863/EU)

Tolerances:	Date	Name	SMR 13110/13116/14016/14110/14116
	10/22	dr	
Modifications	Date	Name	

knitter-switch

30 49 03

Page

4/4