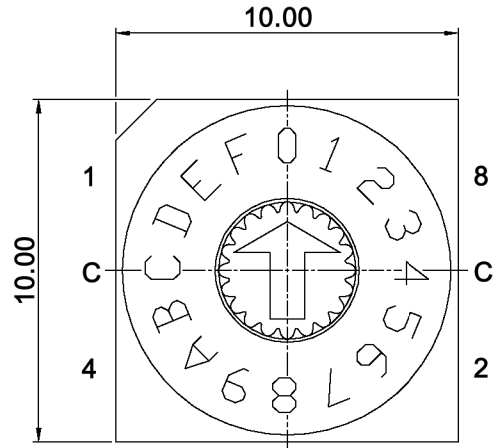
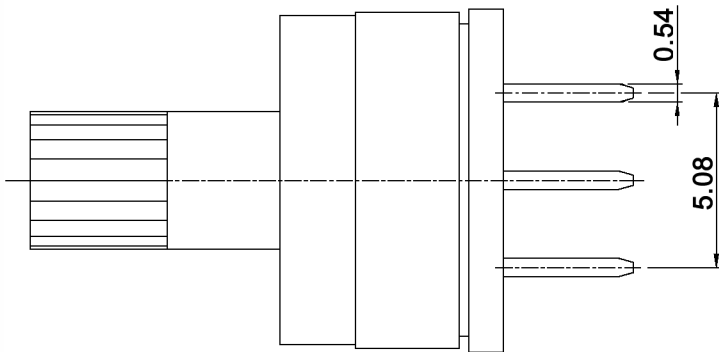
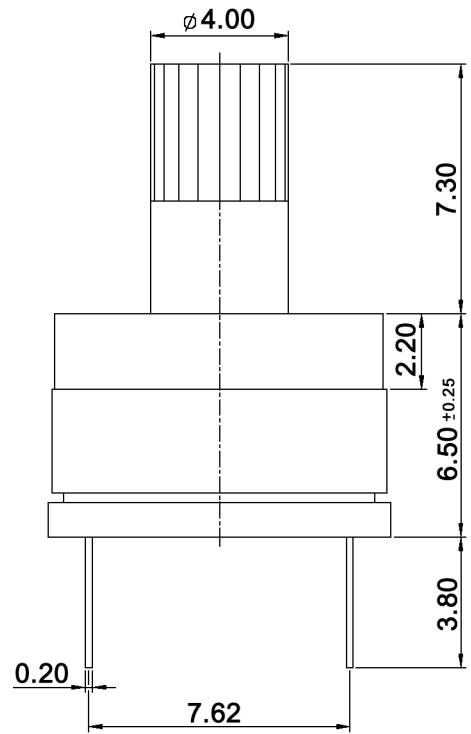
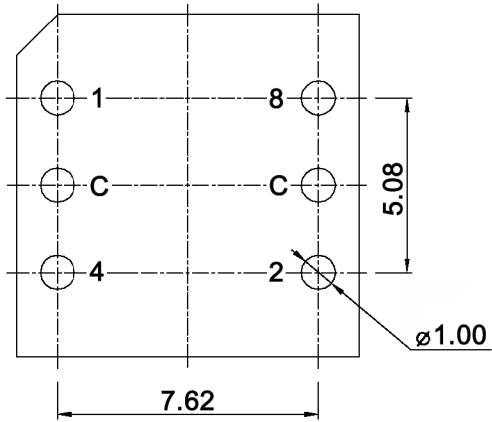


P.C.B. DIMENSION



Compliance: RohS III (2015/863/EU)

Tolerances:		Date	Name	DRS 61116
		02/08	dr	
Material	02/21	dr		30 13 86
Soldering conditions	01/11	dr		
IP rating	07/09	dr		
Operating temperature	11/08	dr		
Modifications	Date	Name		knitter-switch
				30 13 86
				Page
				1/2

Specifications:

Contact rating: switching: 150mA, 42V DC
 non-switching: 200mA, 42V DC
Contact resistance: 80mOhm max.
Insulation resistance: 100MOhm min.
Mechanical life: 10 000 cycles
Operating force: 700gf max.
Operating temperature: -40°C to +85°C
Storage temperature: -40°C to +85°C
Soldering conditions: pre-heat: max. 120°C, max. 70sec.
 wave soldering: max. 260°C, max. 10sec.
IP rating: IP67
Material: Cover: PA66, white
 O-ring: silicone, black
 Actuator: POM, ivory
 PCB: epoxy
 Base: PA66,black
 Contact / terminal: phosphor bronze, min. 0.07µm gold plated
 over min. 0.1µm nickel

Hexadecimal inverse

	Complement coded				
	C	1	2	4	8
0	●	●	●	●	●
1	●		●	●	●
2	●	●		●	●
3	●			●	●
4	●	●	●		●
5	●		●		●
6	●	●			●
7	●				●
8	●	●	●	●	
9	●		●	●	
A	●	●		●	
B	●			●	
C	●	●	●		
D	●		●		
E	●	●			
F	●				

Compliance: RohS III (2015/863/EU)

Tolerances:	Date	Name	DRS 61116	30 13 86	Page
	02/08	dr			
Material	02/21	dr	knitter-switch	30 13 86	2/2
Soldering conditions	01/11	dr			
IP rating	07/09	dr			
Operating temperature	11/08	dr			
Modifications	Date	Name			