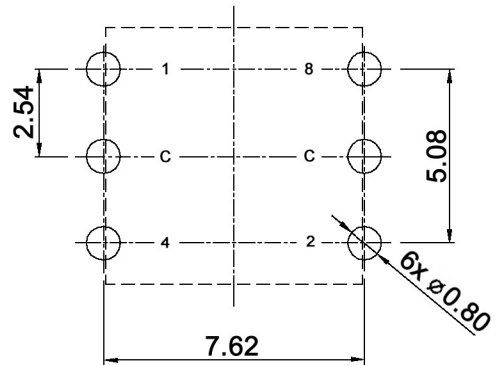


P.C.B. DIMENSION



BCD inverse

		Complement coded				
		C	1	2	4	8
10 P o s i t i o n s	0	●	●	●	●	●
	1	●		●	●	●
	2	●	●		●	●
	3	●			●	●
	4	●	●	●		●
	5	●		●		●
	6	●	●			●
	7	●				●
	8	●	●	●	●	
	9	●		●	●	



Tolerances:	Date	Name
	10/08	dr
Packaging unit	09/12	dr
Modifications	Date	Name

DRS 16110

knitter-switch

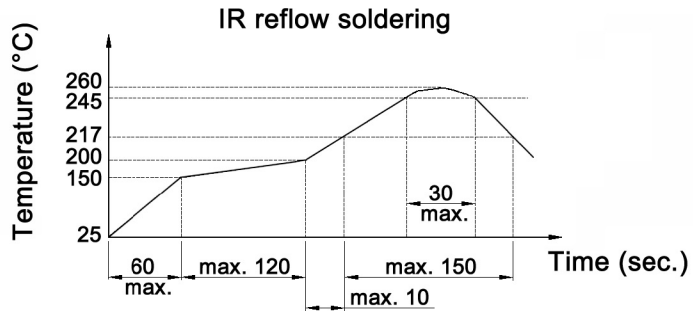
30 16 29

Page

1/2

Specifications:

Contact rating: non-switching: 400mA, 42
switching: 100mA, 42V
Contact resistance: 80mOhm max.
Insulation resistance: 100MOhm min. at 250V DC for 1 minute +/-5sec.
Dielectric strength: 250V DC (50Hz/60Hz) for 1 minute
Operating temperature: -50°C to +125°C
Storage temperature: -55°C to +135°C
Mechanical life: 25 000 cycles
Operating force: 120 +/-30gf/cm
Soldering conditions: auto-soldering: max.: 260 +/-5°C, 5 +/-1sec.
IR reflow soldering: see profile
Packaging unit: 70 pcs / tube
Material: Cover / spring plate / guide plate: stainless steel
Contact / terminal: phosphor bronze, min. 0.07µm gold plated
over min. 0.3µm nickel
Rotor / base: PA66
O-ring: silicone
Actuator color: orange
Protection: IP67
Soldering conditions:



Tolerances:			Date	Name	DRS 16110	30 16 29	Page
			10/08	dr			
			knitter-switch				
Modifications			Date	Name			2/2