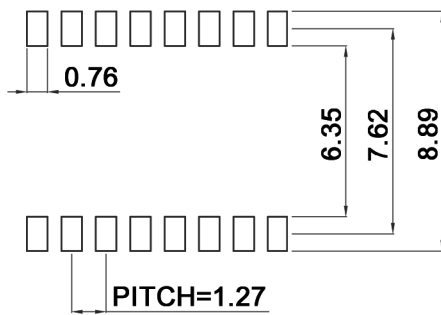


P.C. LAYOUT



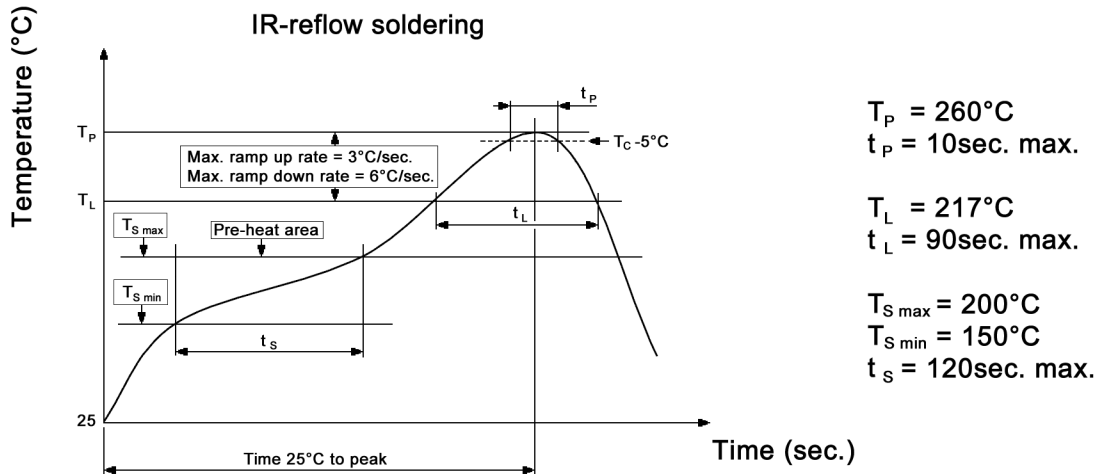
Part No.	A
DHS 104 N	6.12
DHS 106 N	8.66
DHS 108 N	11.20
DHS 110 N	13.74

Compliance: RohS III (2015/863/EU)

Tolerances: ±0.2 mm	Date	Name	<h1>DHS 1xx N</h1>
	05/21	dr	
			<h2>30 46 34</h2>
Modifications	Date	Name	knitter-switch
			Page
			1/3

Specifications:

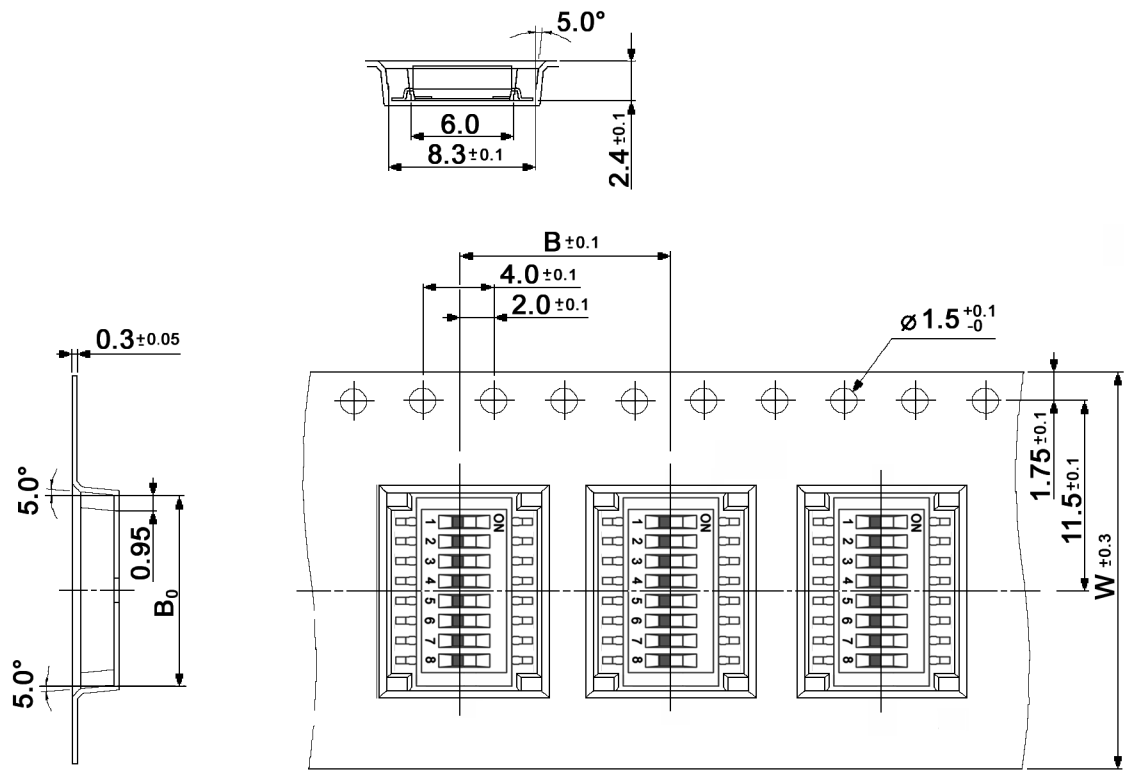
Contact rating: switching: 100mA, 6V; 25mA, 24V DC
 non-switching: 100mA, 50V DC
Contact resistance: 50mOhm max.
Insulation resistance: 100MOhm min. at 500V DC
Dielectric strength: 300V AC for 1 minute
Operating temperature: -40°C to +105°C
Storage temperature: -40°C to +85°C
Operating force: 500 gf max.
Mechanical life: 2 000 cycles
Electrical life: 1 000 cycles
Sealing: by protective tape, washable by aqueous detergents and isopropyl alcohol
Material: Cover / base: PPS (UL94V-0), black
 Actuator: PA46 (UL94V-0), white
 Contact / terminal: 0.025µm gold plated over nickel
 Tape: polyimide
Slider position delivered: OFF
Soldering conditions:



Compliance: RohS III (2015/863/EU)

Tolerances: ±0.2 mm	Date	Name	DHS 1xx N
	05/21	dr	
			knitter-switch
			30 46 34
			Page
			2/3
Modifications	Date	Name	

Packaging:



Part No.	W	Pcs. per Reel	B ₀	B
DHS 104 N	16.0	2 000	6.5	12.0
DHS 106 N	16.0	2 000	9.1	12.0
DHS 108 N	24.0	2 000	11.5	12.0
DHS 110 N	24.0	2 000	14.1	12.0

Compliance: RohS III (2015/863/EU)

Tolerances: ± 0.2 mm	Date	Name	<h1>DHS 1xx N</h1>
	05/21	dr	
			<h2>30 46 34</h2>
			Page
			3/3
Modifications	Date	Name	