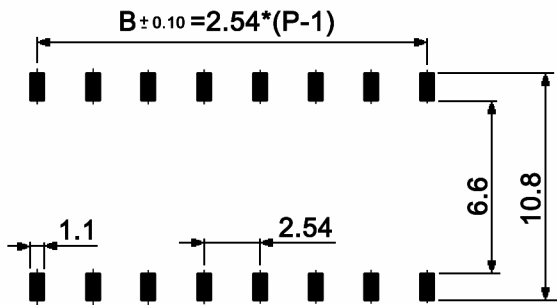
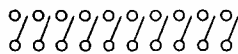


P.C.B. LAYOUT



SCHEMATIC (TYP.)



Prod. No.	No. of pos.	A	B
SBS 5101 T	1	2.44	-
SBS 5102 T	2	4.98	2.54
SBS 5103 T	3	7.52	5.08
SBS 5104 T	4	10.06	7.62
SBS 5105 T	5	12.60	10.16
SBS 5106 T	6	15.14	12.70
SBS 5107 T	7	17.68	15.24
SBS 5108 T	8	20.22	17.78
SBS 5109 T	9	22.76	20.32
SBS 5110 T	10	25.30	22.86
SBS 5112 T	12	30.38	27.94

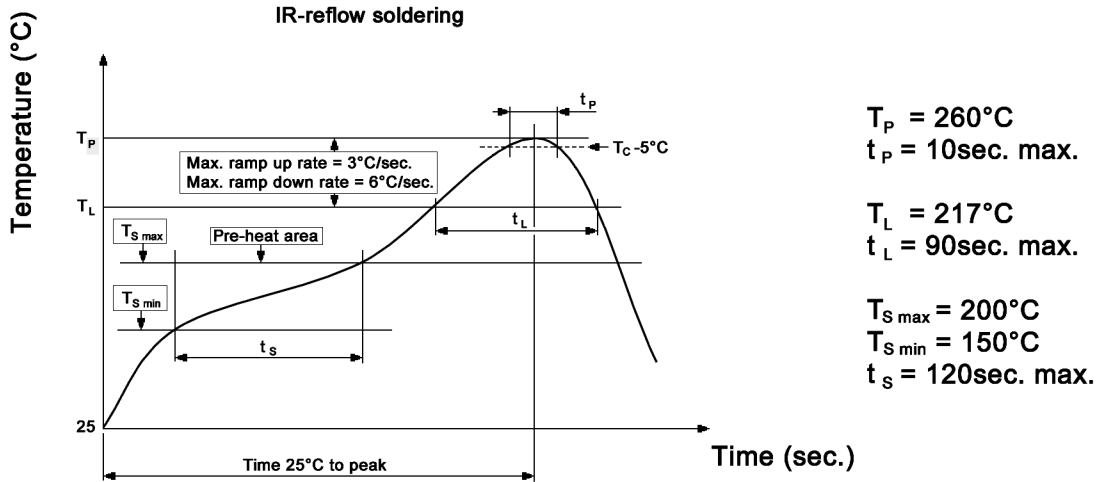
Compliance: RohS III (2015/863/EU)

Tolerances: ±0.20mm			Date	Name	<h1>SBS 51xx T</h1>
			02/05	dr	
Packaging	10/23	dr			
Temperatures	03/20	dr			
Material	10/19	dr			
Material	10/16	dr			
Soldering conditions	03/13	dr	knitter-switch		<h2>30 05 66</h2>
Operating temperature	06/10	dr			
Revised	11/09	dr			
Modifications	Date	Name			Page 1/3

Specifications:

Contact rating: 25mA, 24V DC
Contact resistance: 100mOhm max.
Insulation resistance: 100MOhm min.
Dielectric strength: 500V AC (50Hz or 60Hz) for 1 minute
Operating temperature: -40°C to +90°C
Storage temperature: -40°C to +90°C
Operating force: 1000gf max. (9.8N max.)
Mechanical life: 2 000 cycles of operation
Material: Cover / base: high-temp. thermoplastic PA-9T UL94V-0, molded black, Genestar GN2332, UL-file E90350
 Actuator: thermoplastic LCP UL94V-0, molded white, Sumitomo E6006L, UL-file E54705
Terminal: brass, gold plated
Contact: copper, gold plated at contact area

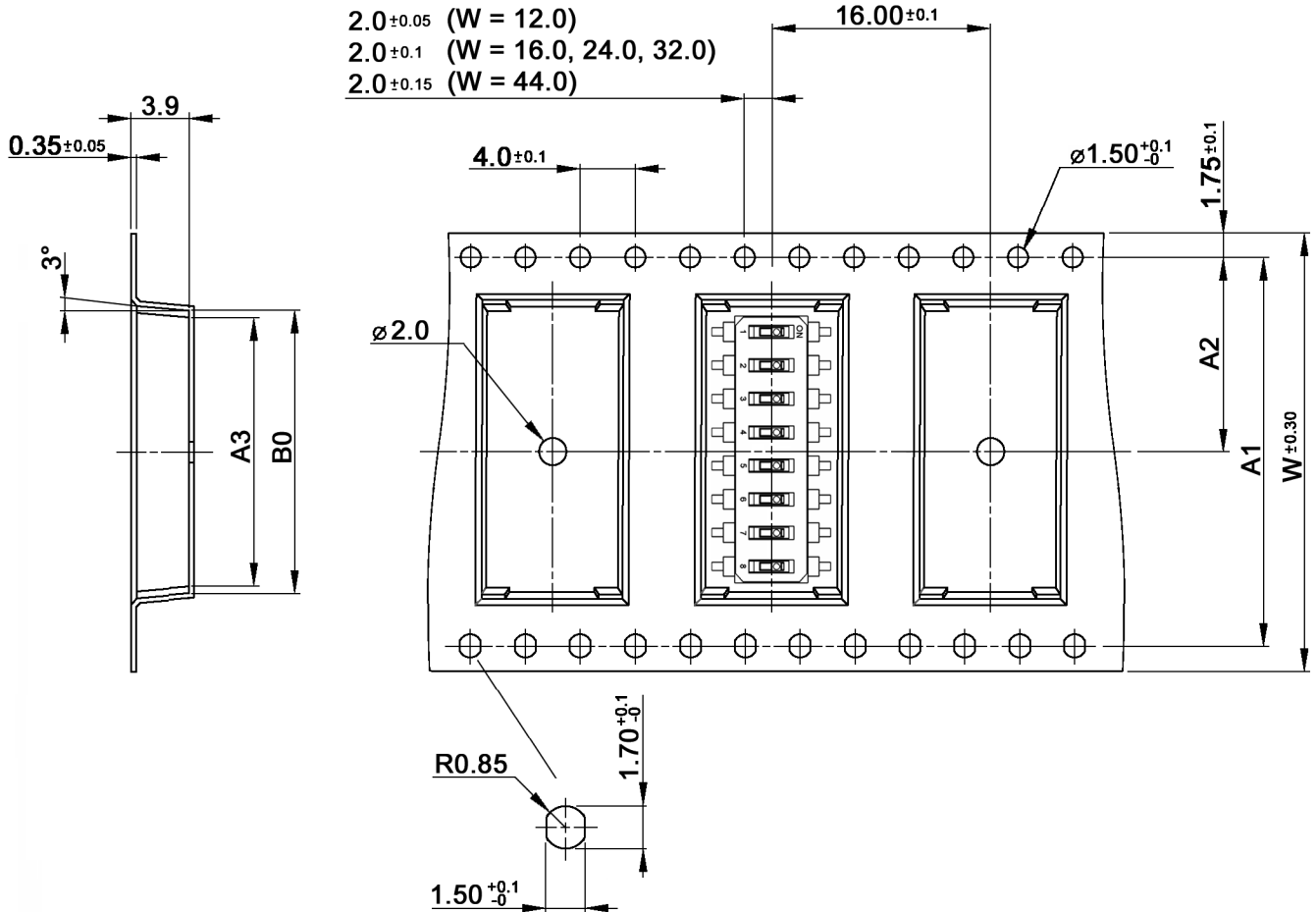
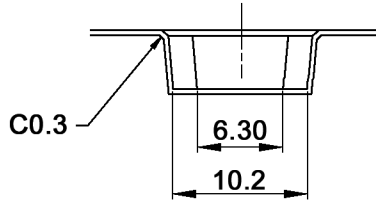
Soldering conditions:



Compliance: RohS III (2015/863/EU)

Tolerances: ±0.20mm			Date	Name	<h1>SBS 51xx T</h1>
			02/05	dr	
Packaging	10/23	dr			
Temperatures	03/20	dr			
Material	10/19	dr			
Material	10/16	dr			
Soldering conditions	03/13	dr	knitter-switch		<h2>30 05 66</h2>
Operating temperature	06/10	dr			
Revised	11/09	dr			
Modifications	Date	Name			Page 2/3

Packaging:



$2.0^{+0.05}$ (W = 12.0)
 $2.0^{+0.1}$ (W = 16.0, 24.0, 32.0)
 $2.0^{+0.15}$ (W = 44.0)

xx	A1	A2	A3	B0	W
01	-	$5.50^{+0.05}$	2.05	2.75	12.0
02	-	$7.50^{+0.1}$	4.40	5.30	16.0
03	-	$7.50^{+0.1}$	6.95	7.85	16.0
04	-	$11.50^{+0.1}$	9.60	10.56	24.0
05	-	$11.50^{+0.1}$	12.2	13.10	24.0
06	-	$11.50^{+0.1}$	14.7	15.60	24.0
07	28.40	$14.20^{+0.1}$	17.28	18.18	32.0
08	28.40	$14.20^{+0.1}$	19.8	20.70	32.0
09	40.40	$20.20^{+0.15}$	22.36	23.26	44.0
10	40.40	$20.20^{+0.15}$	24.9	25.80	44.0
12	40.40	$20.20^{+0.15}$	29.98	30.88	44.0

Packaging unit: 900 pcs. / reel
 Compliance: RohS III (2015/863/EU)

Tolerances: ±0.20mm			Date	Name
Packaging	10/23	dr	02/05	dr
Temperatures	03/20	dr		
Material	10/19	dr		
Material	10/16	dr		
Soldering conditions	03/13	dr		
Operating temperature	06/10	dr		
Revised	11/09	dr		
Modifications	Date	Name		

SBS 51xx T

knitter-switch

30 05 66

Page

3/3