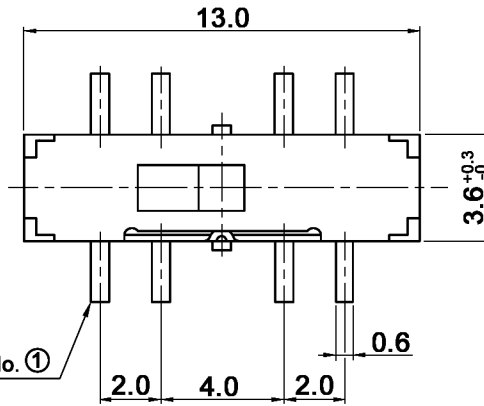
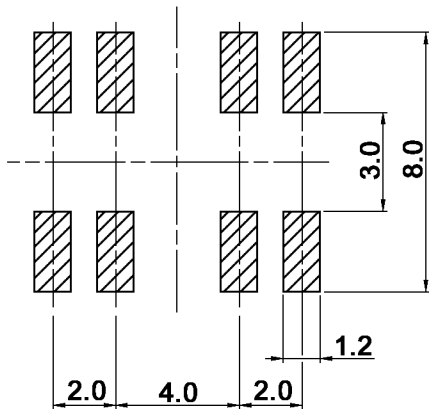


8x **A** common tolerances zone

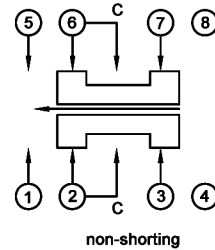
0.1



P.C. LAYOUT



CIRCUIT DIAGRAM  
C: COMMON PIN



Compliance: RohS III (2015/863/EU)

Tolerances: up to 10: ±0.2mm above 10-50: ±0.3mm above 50-100: ±0.5mm	Date	Name
	03/24	dr

**MMS 228 x**

**knitter-switch**

**30 53 47**

Page

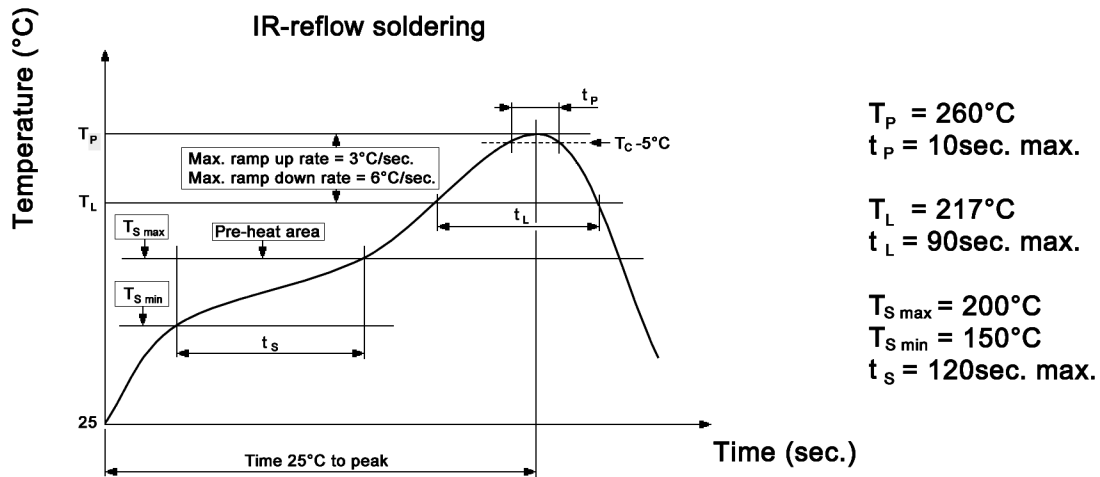
1/3

Modifications      Date      Name

**Specifications:**

**Contact rating:** 200mA, 12V DC / 300mA, 6V DC (100mA, 24V DC)  
**Contact resistance:** 70mOhm max.  
**Insulation resistance:** 100MOhm min. at 500V DC  
**Dielectric strength:** 500V, 50Hz for the duration of 1 minute  
**Operating temperature:** -40°C to +85°C  
**Mechanical life:** 10 000 cycles min.  
**Contact timing:** non-shorting  
**Switching function:** on - on  
**Material:** Terminal: brass strip  
 Cover: SUS, natural  
 Slider / case: PPA, black  
 Contact plate: SUS

**Soldering conditions:**

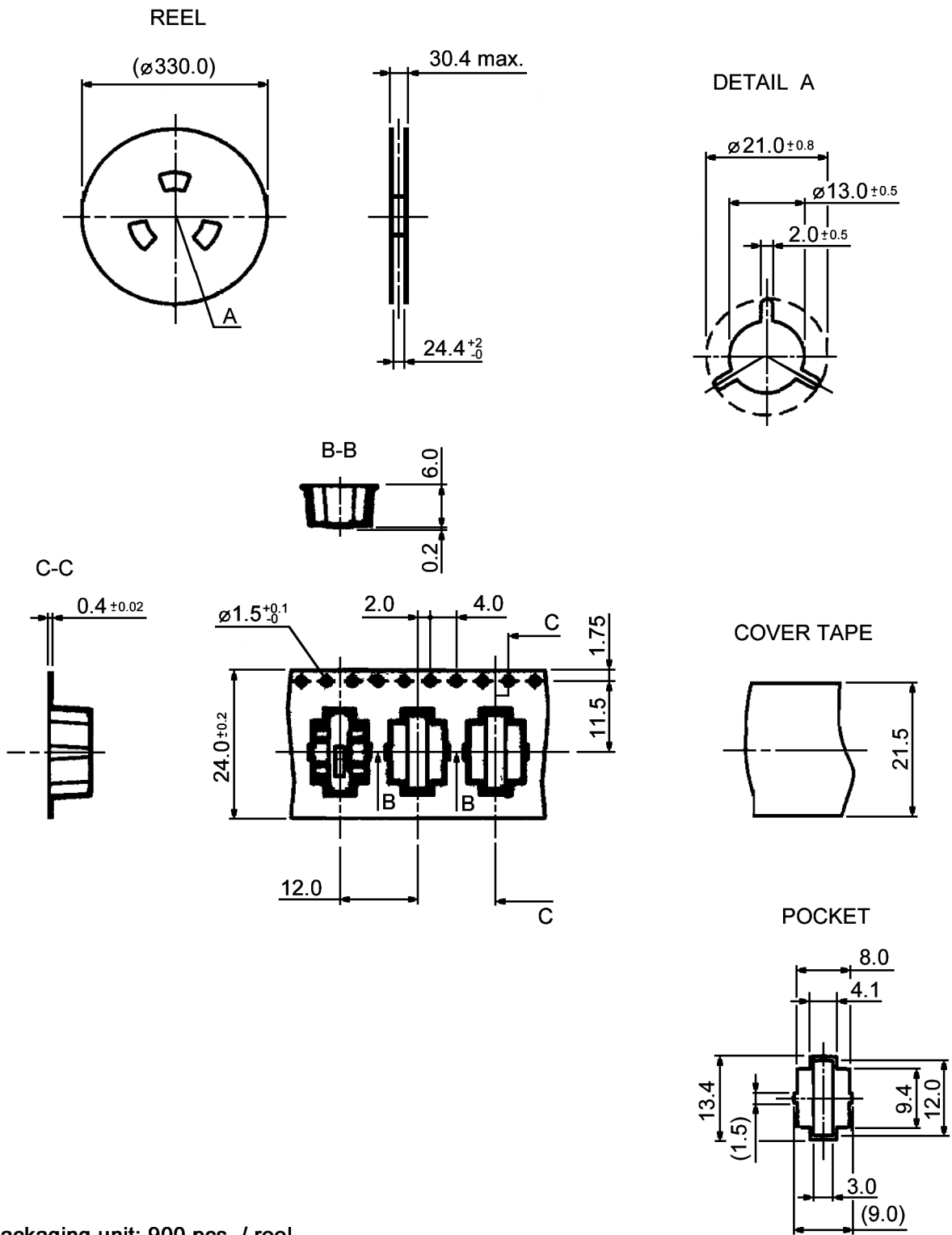


x	Contact/terminal surface	with/without grease
T	silver plated	with
T-F	silver plated	without
BT	gold plated	with
BT-F	gold plated	without

**Compliance: RohS III (2015/863/EU)**

Tolerances: up to 10: ±0.2mm above 10-50: ±0.3mm above 50-100: ±0.5mm	Date	Name	<h1>MMS 228 x</h1>
	03/24	dr	
	<b>knitter-switch</b>		<h2>30 53 47</h2>
Modifications	Date	Name	Page 2/3

Packaging:



Packaging unit: 900 pcs. / reel  
 Compliance: RohS III (2015/863/EU)

Tolerances: up to 10: ±0.2mm above 10-50: ±0.3mm above 50-100: ±0.5mm	Date	Name
	03/24	dr
Modifications	Date	Name

MMS 228 x

30 53 47

knitter-switch