



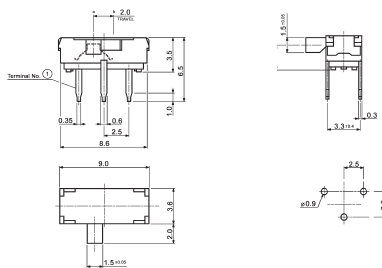
# Microminiature Slide Switches

## Specifications:

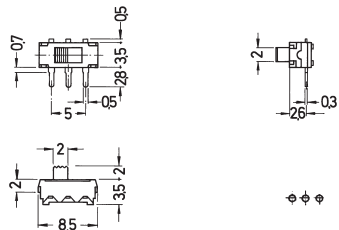
Contact rating:	12 V DC, 200 mA
Contact resistance:	< 50 mΩ
Insulation resistance:	> 100 MΩ at 500 V DC
Dielectric strength:	500 V, 50 Hz for the duration of 1 minute
Operating temperature:	-40 °C to +85 °C
Mechanical life:	minimum 5000 operations
Contacts:	phosphor bronze, silver-plated
Terminals:	brass, silver-plated
Contact timing:	non-shorting
Slide colour:	white
Soldering conditions:	wave-soldering – max.: 5 sec, 260 °C ± 5 °C

## Models:      Switching functions

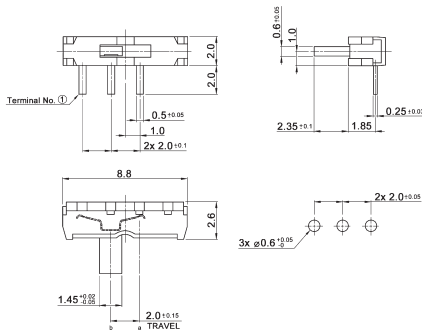
MMP 121 – R    on    on



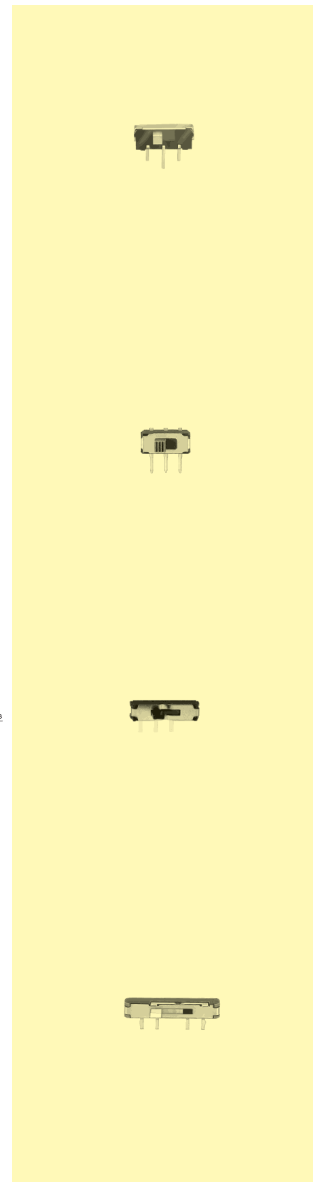
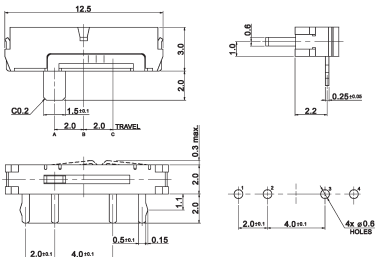
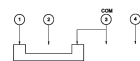
MMP 122 – R    on    on



MMP 124 – RN   on    on



MMP 134 – R    on on on



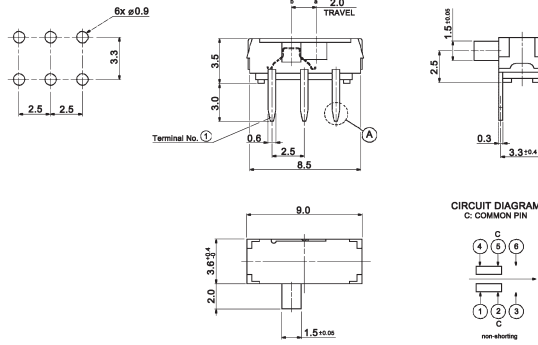
# Microminiature Slide Switches



**Models:** Switching functions

MMP 221 – R

on on



MMP 238 – R

on on on

