



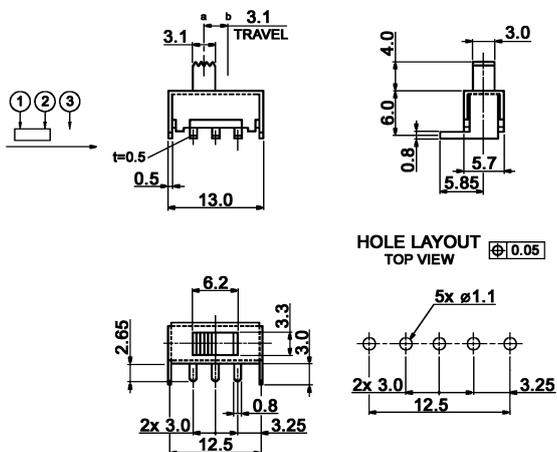
# Miniature Slide Switches

## Specifications:

Contact rating:	30 V DC, 0.2 A
Contact resistance:	< 30 mΩ
Insulation resistance:	> 100 MΩ at 500 V DC
Dielectric strength:	500 V, 50 Hz for the duration of 1 minute
Operating temperature:	-10 °C to +60 °C
Mechanical life:	5000 operations
Contacts:	copper alloy, silver-plated over nickel barrier
Slide colour:	black, further colours on request
Soldering conditions:	wave-soldering – max.: 5 sec, 260 °C ± 5 °C

## Models:                      Switching functions

MFP 121 D – RA      on      on  
non-shorting



MFP 201 N – RA      on      on  
non-shorting

