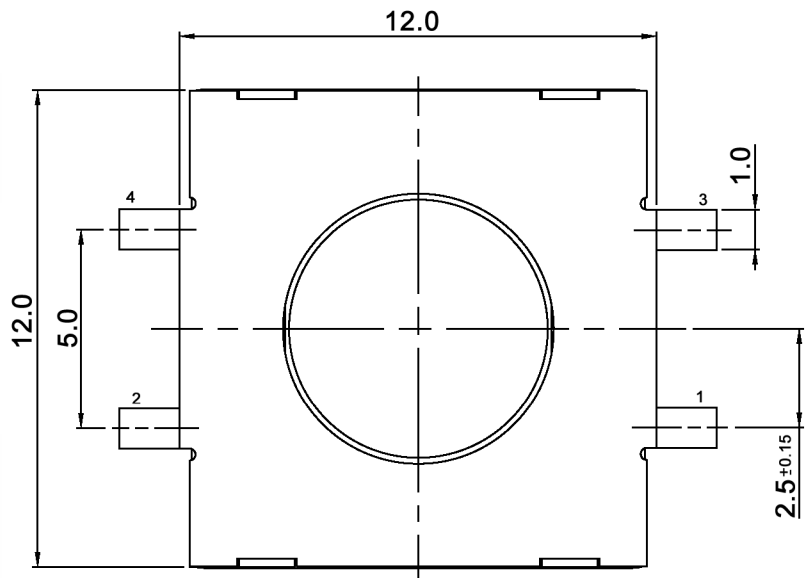
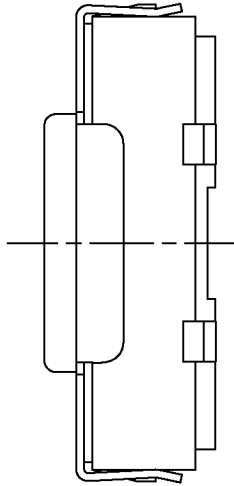
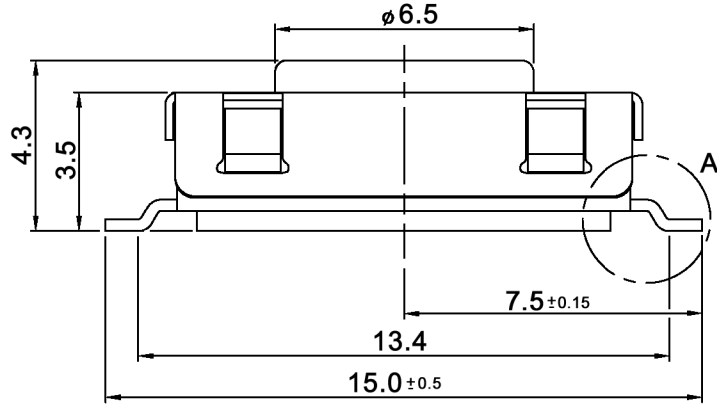
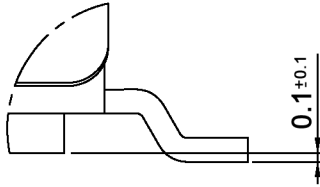
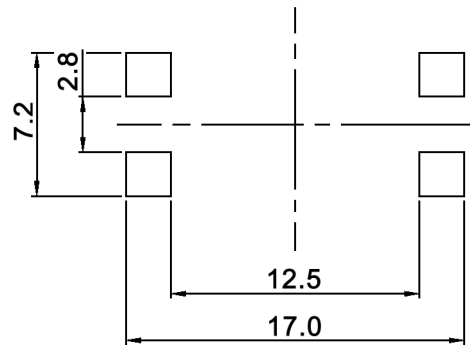


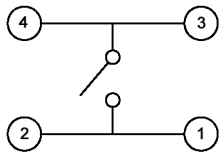
DETAIL A



P.C.B. LAYOUT



CIRCUIT DIAGRAM

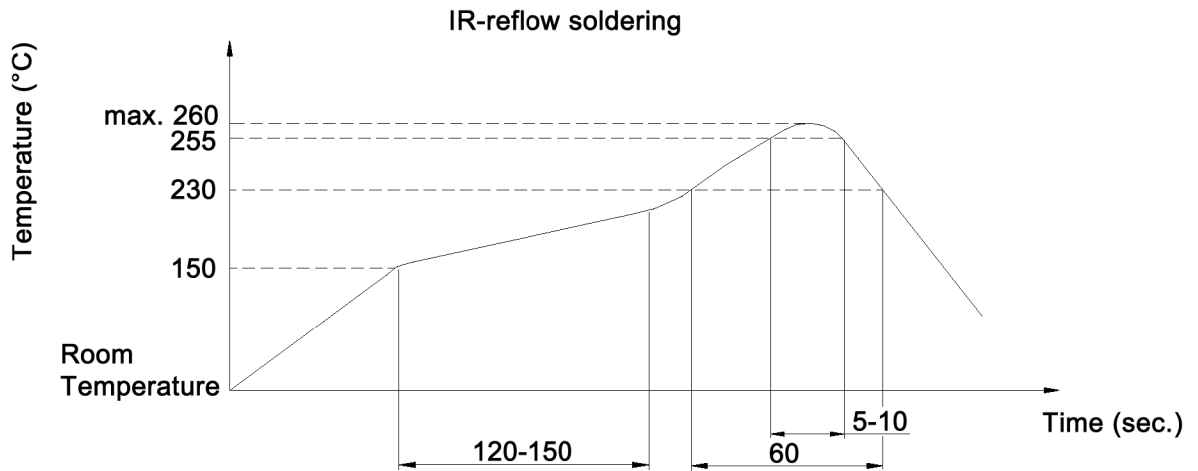


Compliance: RohS II (2011/65/EU)

Tolerances: max. ±0.2mm		Date	Name	<h1>TSSE 21 x</h1>		
		05/10	dr			
Specifications	08/15	dr				
Revised	02/13	dr				
Further dimensions	11/12	dr		<h1>30 21 00</h1>		
Table "x"	11/12	dr	knitter-switch			Page
Sealing	09/10	dr				1/2
Modifications	Date	Name				

Specifications:

Contact rating: 50mA, 50V DC
 Contact resistance: 100mOhm max.
 Insulation resistance: 100MOhm min. at 100V DC for 1 minute +/-5sec.
 Dielectric strength: 250V AC (50/60Hz) for 1 minute
 Operating temperature: -40°C to +85°C
 Storage temperature: -40°C to +85°C
 Travel: 0.40 +/-0.20mm
 Material: Stem: high-temp. thermoplastic nylon UL94V-0
 Cover: stainless steel
 Seal: silicone rubber, molded black
 Contact: stainless steel, silver plated
 Terminal: brass, silver plated
 Base: high-temp. thermoplastic LCP, molded black
 IP rating: IP 67
 Washable, tested for 1 minute in 5cm depth in fluorocarbon at 50°C
 Soldering conditions:



x	Operating force (gf)	Mechanical life	Color of stem
N	160 +/-50	1 000 000 cycles	brown
NQR1	200 +/-50	1 000 000 cycles	brown
R	260 +/-50	1 000 000 cycles	red
W	320 +/-80	300 000 cycles	white
Y	520 +/-130	300 000 cycles	yellow

Compliance: RohS II (2011/65/EU)

Tolerances: max. ±0.2mm		Date	Name	TSSE 21 x
		05/10	dr	
			knitter-switch	30 21 00
Modifications				2/2
Date	Name			