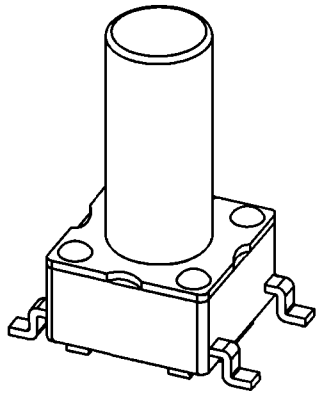
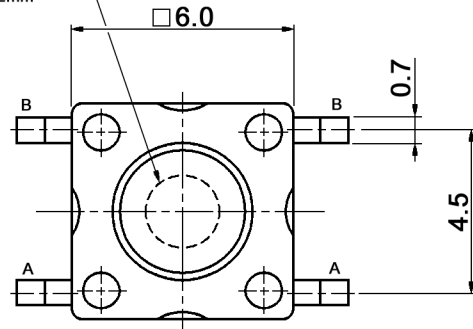


4x A common tolerances zone

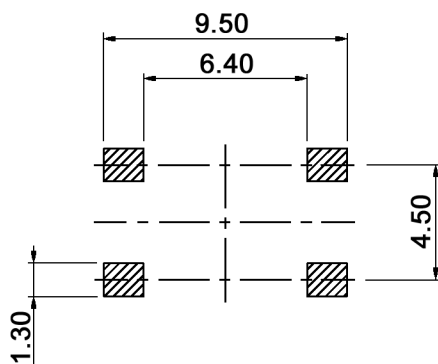
±0.1



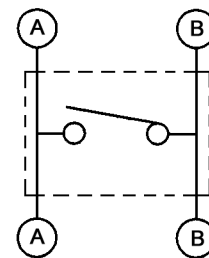
RECOMMEND OPERATING  
AREA ø2mm



P.C.B. LAYOUT



CIRCUIT DIAGRAM



Compliance: RohS II (2011/65/EU)

Tolerances: up to 10: ±0.2mm above 10-50: ±0.3mm	Date	Name
	09/15	dr
Material	05/18	dr
Modifications	Date	Name

**TSS 66 x**

**30 34 20**

Page

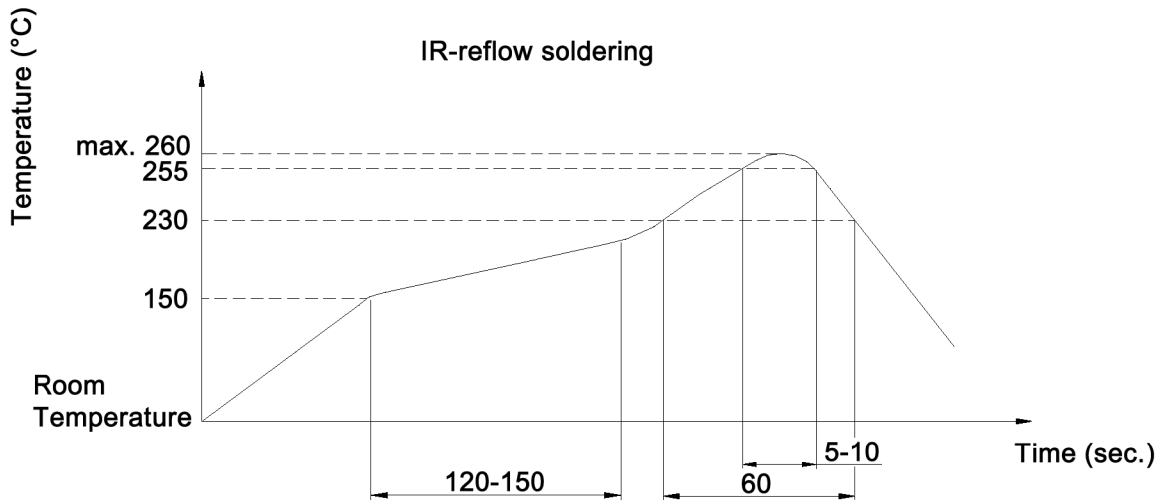
1/2

**knitter-switch**

**Specifications:**

**Contact rating:** 50mA, 12V DC  
**Contact resistance:** 100mOhm max.  
**Insulation resistance:** 100MOhm min. at 500V DC for 1 minute  
**Dielectric strength:** 250V AC (50/60Hz) for 1 minute  
**Operating temperature:** -40°C to +85°C  
**Storage temperature:** -40°C to +85°C  
**Material:** Cover: stainless steel  
Case / stem: PPS  
Contact: phosphor bronze, silver plated  
Terminal: brass, silver plated

**Soldering conditions:**



x	Operating force	Mechanical life	Stem color
K	100 +/-30 gf	150 000 cycles	black
N	160 +/-50 gf	150 000 cycles	brown
R	250 +/-70 gf	150 000 cycles	red
S	320 +/-70 gf	100 000 cycles	salmon
Y	520 +/-130 gf	50 000 cycles	yellow

Compliance: RohS II (2011/65/EU)

Tolerances: up to 10: ±0.2mm above 10-50: ±0.3mm		Date	Name	<b>TSS 66 x</b>
		09/15	dr	
			<b>knitter-switch</b>	<b>30 34 20</b>
Material	05/18	dr		
Modifications	Date	Name		Page 2/2