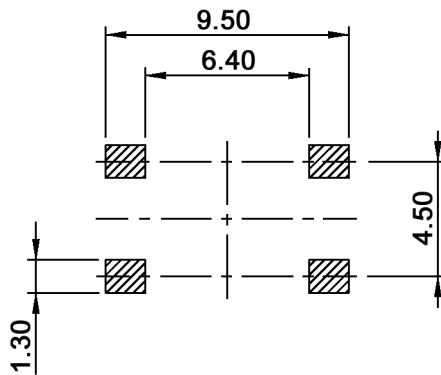
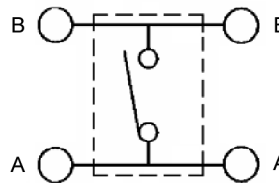


P.C.B. LAYOUT



CIRCUIT DIAGRAM



Compliance: RohS III (2015/863/EU)

Tolerances: up to 10: $\pm 0.2\text{mm}$ above 10-50: $\pm 0.3\text{mm}$	Date	Name
	05/15	dr
Material	01/23	dr
Rename	06/15	dr
Modifications	Date	Name

TSS 63 x

30 33 26

knitter-switch

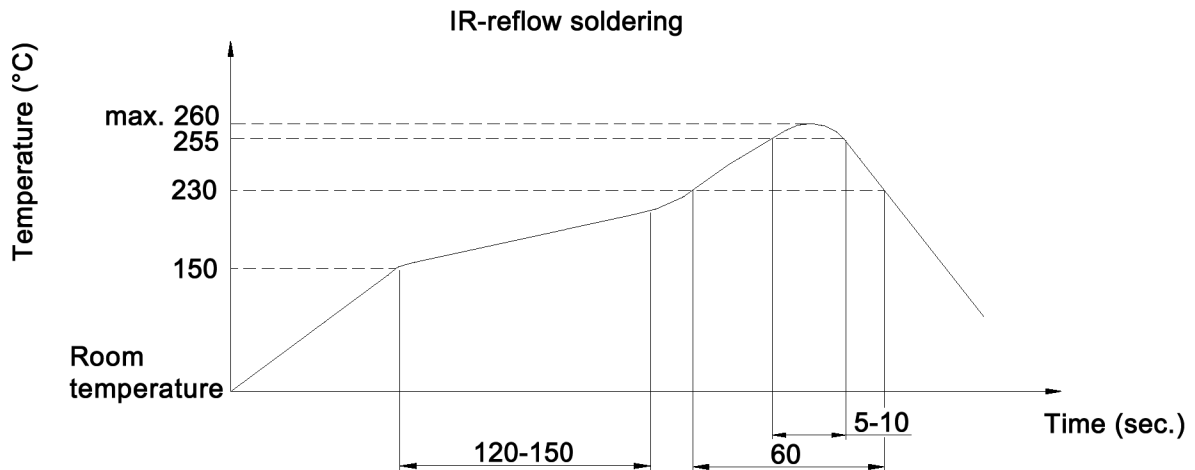
Page

1/3

Specifications:

Contact rating: 50mA, 12V DC
Contact resistance: 100mOhm max.
Insulation resistance: 100MOhm min. at 500V DC for 1 minute
Dielectric strength: 250V AC (50Hz or 60Hz) for 1 minute
Operating temperature: -40°C to +85°C
Storage temperature: -40°C to +85°C
Material: Base / actuator: thermoplastic, PPS, Polyplastics PPS-1140A6, UL94V-0, E109088
 Contact: phosphor bronze, silver plated
 Terminals: brass, silver plated
 Cover: stainless steel

Soldering conditions:

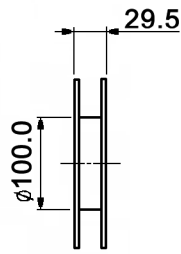
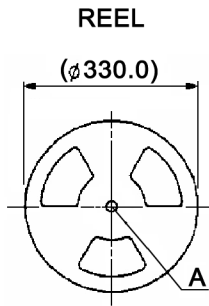


x	Operating force	Mechanical life	Actuator color
K	100 +/-30 gf	150 000 cycles	black
N	160 +/-50 gf	150 000 cycles	brown
R	250 +/-70 gf	150 000 cycles	red
S	320 +/-70 gf	100 000 cycles	salmon
Y	520 +/-130 gf	50 000 cycles	yellow

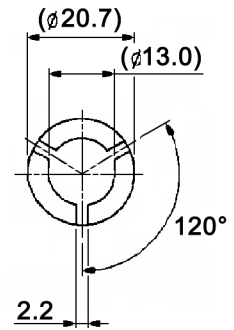
Compliance: RohS III (2015/863/EU)

Tolerances: up to 10: ±0.2mm above 10-50: ±0.3mm		Date	Name	TSS 63 x
		05/15	dr	
Material	01/23	dr	knitter-switch	30 33 26
Rename	06/15	dr		
Modifications	Date	Name		Page 2/3

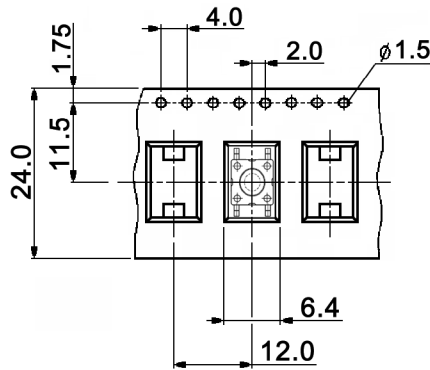
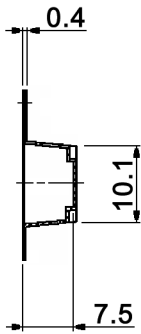
Packaging:



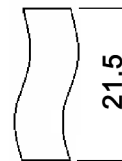
DETAIL A



CARRIER TAPE



COVER TAPE



Packaging unit: 700 pcs. / reel
Compliance: RohS III (2015/863/EU)

Tolerances: up to 10: $\pm 0.2\text{mm}$ above 10-50: $\pm 0.3\text{mm}$		Date	Name
		05/15	dr
Material	01/23	dr	knitter-switch
Rename	06/15	dr	
Modifications	Date	Name	

TSS 63 x

30 33 26

Page

3/3