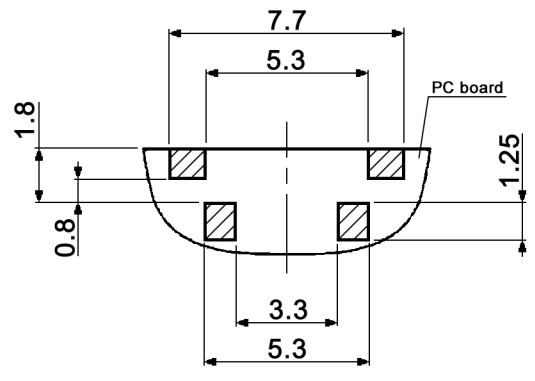


P.C.B. LAYOUT



CIRCUIT DIAGRAM



Compliance: RohS II (2011/65/EU)

Tolerances: up to 10: $\pm 0.2\text{mm}$ above 10-50: $\pm 0.3\text{mm}$	Date	Name
	03/12	dr
Rename	09/15	dr
Travel	08/12	dr
Material	06/12	dr
Modifications	Date	Name

TSS 4 x-RA

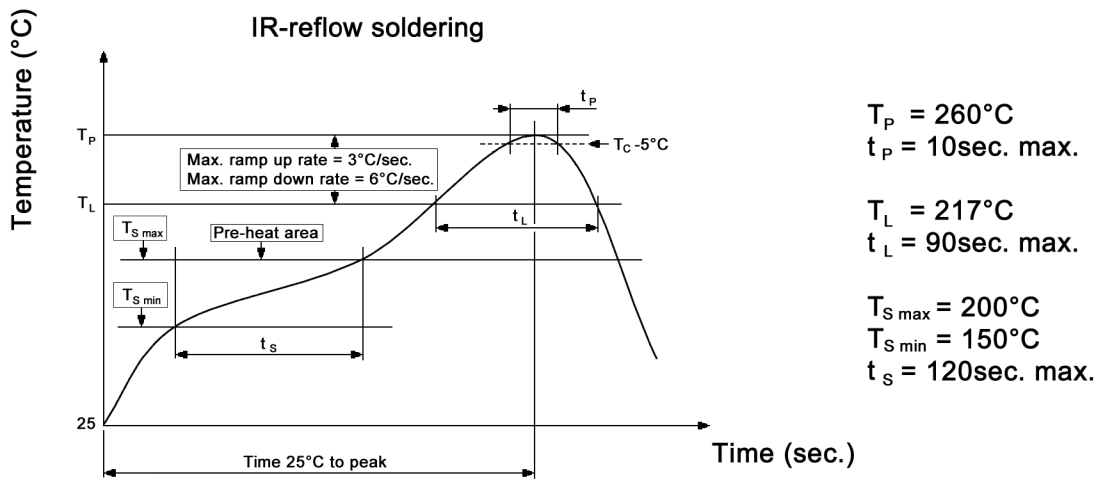
knitter-switch

30 25 71

Specifications:

Contact rating: max.: 50mA, 12V DC
 min.: 0.5mA, 1V DC
Contact resistance: 100mOhm max.
Insulation resistance: 2000MOhm min. at 100V DC
Dielectric strength: 250V AC for 1 minute
Operating temperature: -40°C to +85°C
Electrical life: 250 000 times (15 times/minute)
Material: Case / button: PA9T (94HB), black
 Contact plate: stainless steel, silver plated
 Membrane: polyimide, natural
 Terminal: phosphor bronze, silver plated
 Cover: phosphor bronze, tin plated

Soldering conditions:

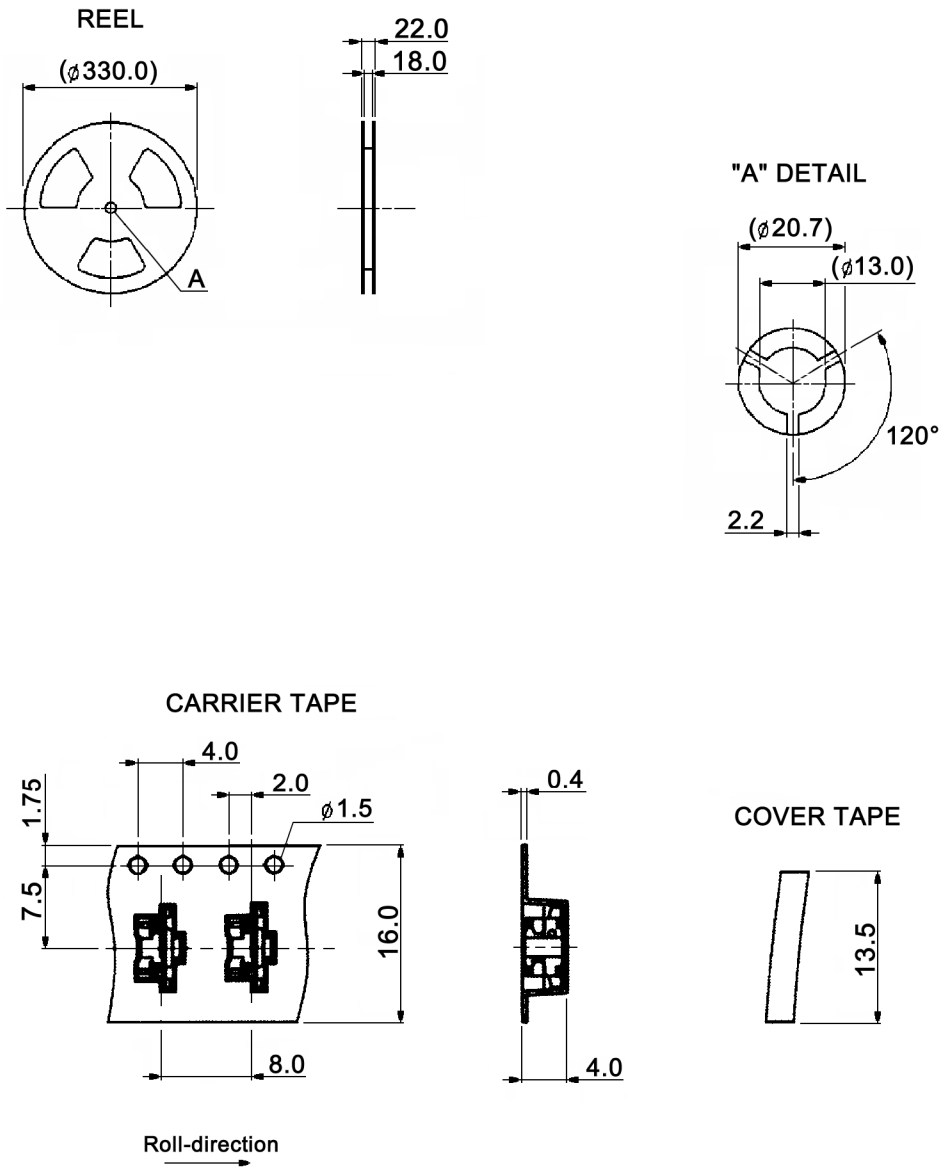


x	Operating force
(empty)	2.16 +/-0.59N
R	3.43 +/-0.98N

Compliance: RohS II (2011/65/EU)

Tolerances: up to 10: ±0.2mm above 10-50: ±0.3mm		Date	Name	<h1>TSS 4 x-RA</h1>	
		03/12	dr		
			knitter-switch	<h2>30 25 71</h2>	
Modifications			Date	Name	Page 2/3

Packaging:



Packaging unit: 2000 pcs. / reel
Compliance: RohS II (2011/65/EU)

Tolerances: up to 10: ± 0.2 mm above 10-50: ± 0.3 mm		Date	Name
		03/12	dr
Modifications	Date	Name	

TSS 4 x-RA

knitter-switch

30 25 71