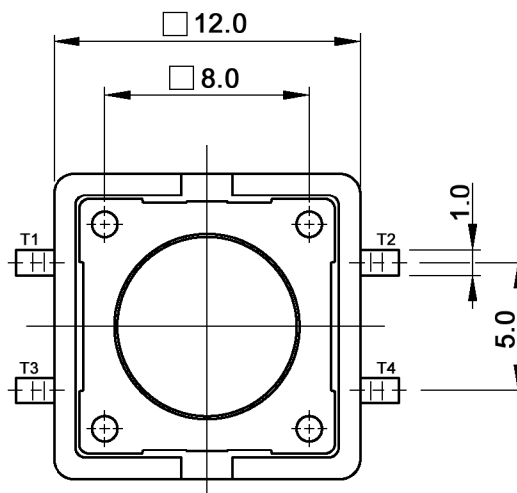
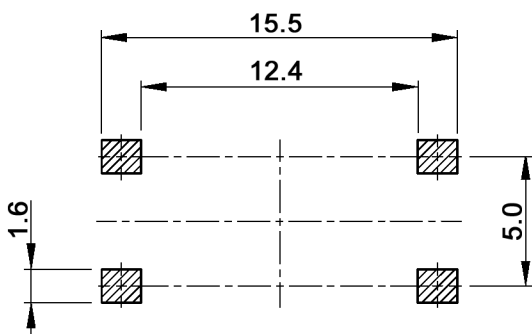
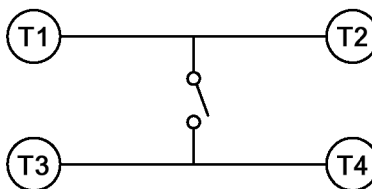


P.C.B. LAYOUT



CIRCUIT DIAGRAM



Tolerances: max. $\pm 0.20\text{mm}$	Date	Name
	09/11	dr
Modifications	Date	Name

**TSS 21 x**

**30 24 41**

Page

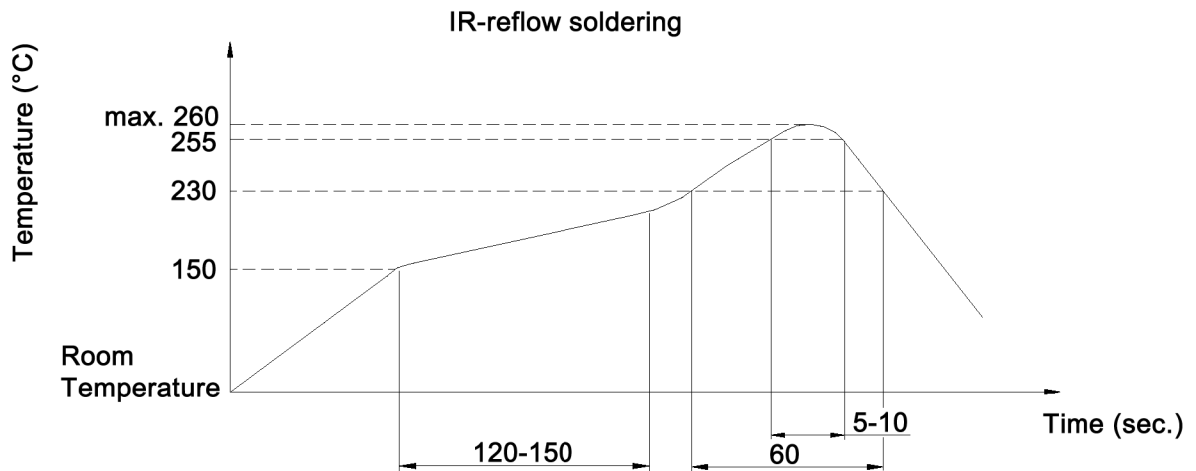
1/2

**knitter-switch**

**Specifications:**

**Contact rating:** 50mA, 12V DC  
**Contact resistance:** 100mOhm max.  
**Insulation resistance:** 100MOhm min. at 500V DC for 1 minute +/-5sec.  
**Dielectric strength:** 250V AC (50/60Hz) for 1 minute  
**Operating temperature:** -25°C to +70°C  
**Storage temperature:** -30°C to +80°C  
**Travel:** 0.35 +/-0.1mm  
**Material:** Cover: stainless steel  
 Stem: high-temp. thermoplastic nylon UL94V-0  
 Contact: phosphor bronze, silver cladding  
 Base: high-temp. thermoplastic nylon UL94V-0  
 Terminal: brass, silver plated

**Soldering conditions:**



x	Operating force (gf)	Electrical life	Colour of stem
N	160 +/-50	200 000 cycles	brown
R	260 +/-50	100 000 cycles	red
S	320 +/-80	100 000 cycles	salmon
Y	520 +/-130	100 000 cycles	yellow



Tolerances: max. ±0.20mm		Date	Name	<h1>TSS 21 x</h1>
		09/11	dr	
		<b>knitter-switch</b>		<h1>30 24 41</h1>
				Page 2/2
Modifications	Date	Name		