

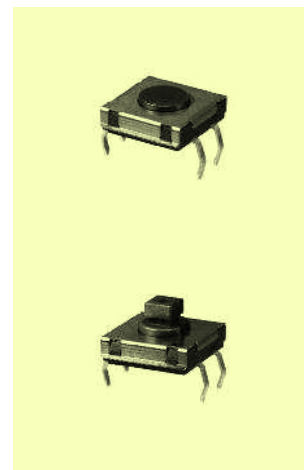
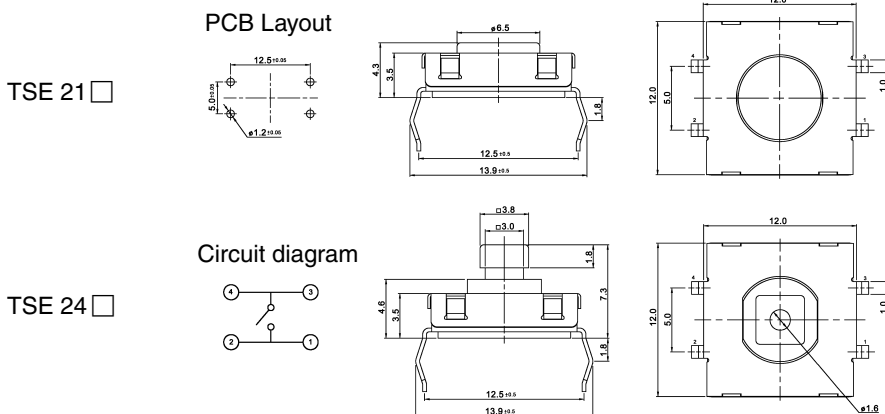


Specifications:

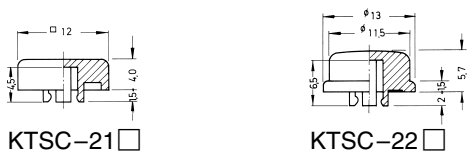
Contact rating:	50 V DC, 50 mA
Contact resistance:	< 100 mΩ
Insulation resistance:	> 100 MΩ
Dielectric strength:	250 V, 50 Hz for the duration of 1 minute
Operating temperature:	-40 °C to +85 °C
Operating force:	N: 1.6 N ± 0.5 N R: 2.6 N ± 0.5 N W: 3.2 N ± 0.8 N Y: 5.2 N ± 1.3 N
Mechanical life:	N, R: minimum 1 000 000 operations; W, Y: minimum 300 000 operations
Material:	Contacts: stainless steel, silver-plated Terminals: brass, silver plated Cover: stainless steel Base: LCP, UL 94 V-0, black, washable Stem: PA, UL 94 V-0
Protection:	IP 67
Mounting:	on pc-board
Soldering conditions:	wave soldering, max. 5 s max. 260 °C; pre-heat max. 60 s max. 100 °C
Travel:	0.4 mm ± 0.2 mm

washable

Models:



Caps for TSE 24



Ordering code:

Switches TSE 2 □ □

Dimension:
 1 4.3 mm
 4 7.3 mm

Colour of stem for operating force:
 N 1.6 N, brown
 R 2.6 N, red
 W 3.2 N, white
 Y 5.2 N, yellow

Caps KTSC-2 □ □

Cap type:
 1 square
 2 round

Cap colour:
 Y yellow
 B blue
 R red
 I ivory
 K black
 G green