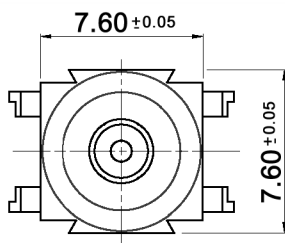
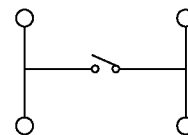
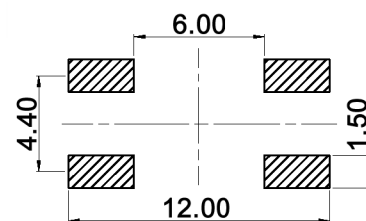


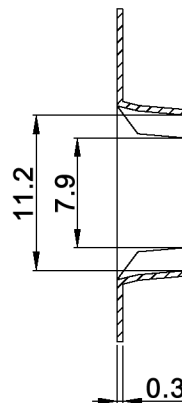
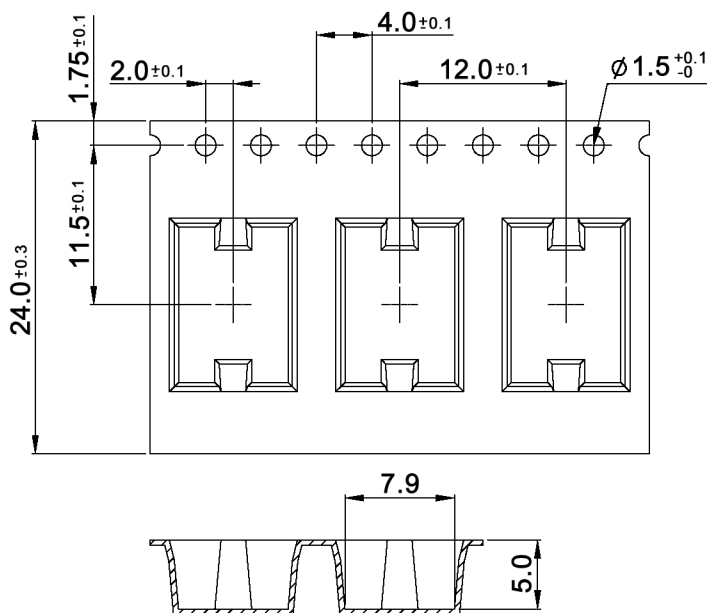
CIRCUIT DIAGRAM



P.C. MOUNTING



Packaging:



10 sprocket hole pitch cumulative tolerance +/-0.20

Carrier chamber is within 1mm in 250mm

Material: transparent polystyrene alloy

All dimensions meet EIA-481-C requirements

Component load per 330mm reel: 1100 pcs.



Tolerances: 0.1-1.0: ±0.05mm 1.0-5.0: ±0.1mm 5.0-10.0: ±0.2mm 10.0-20.0: ±0.3mm	Date	Name
	09/08	dr
Tolerances	01/13	dr
Material	07/12	dr
IP rating	04/12	dr
Packaging	11/11	dr
Base color	07/09	dr
Operating temperature	06/09	dr
Packaging	06/09	dr
Operating force	05/09	dr
Modifications	Date	Name

TMPS 1-1(T)

knitter-switch

30 16 38

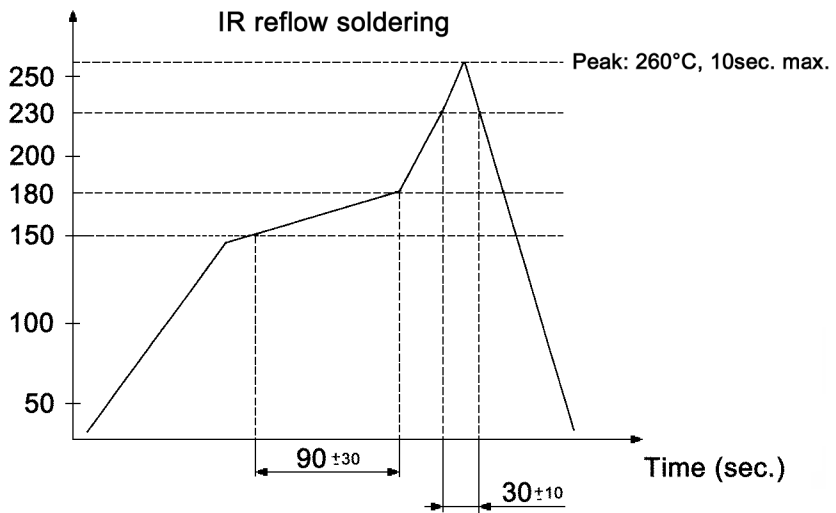
Page

1/2

Specifications:

Contact rating: 20mA, 24V DC; max. 0.5W
 Contact resistance: 100mOhm max.
 Insulation resistance: 1 000MOhm min. at 100V DC
 Dielectric strength: 250V, 50Hz for the duration of 1 minute
 Operating temperature: -40°C to +85°C
 Mechanical life: min. 1 000 000 cycles
 Operating force: 4.5 +/-1.0N
 Travel: 0.75 +/-0.25mm
 Mounting: on pc-board, SMT
 IP rating: IP67
 Material: Base: thermoplastic UL94V-0, white
 Button: silicone, ivory
 Contact disc: stainless steel, 0.025µm gold plated over nickel barrier
 Terminal contact: brass, 0.025µm gold plated
 Terminal: brass, tin plated

Soldering conditions:



Tolerances: 0.1-1.0: ±0.05mm 1.0-5.0: ±0.1mm 5.0-10.0: ±0.2mm 10.0-20.0: ±0.3mm	Date	Name
	09/08	dr

TMPS 1-1(T)

			knitter-switch
Modifications	Date	Name	

30 16 38