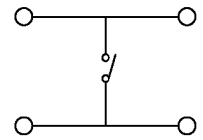
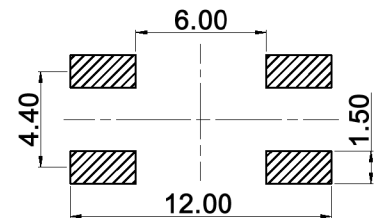


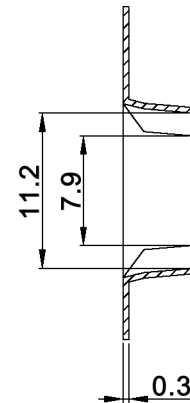
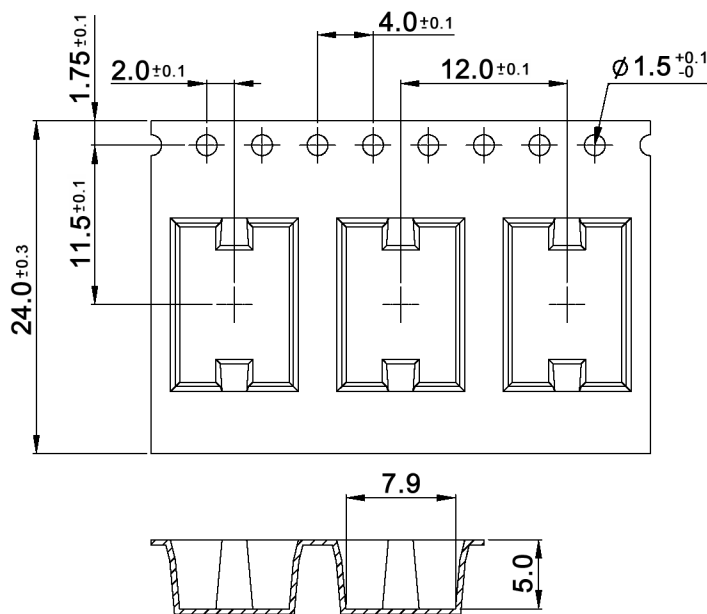
CIRCUIT DIAGRAM



P.C. MOUNTING



Packaging:



10 sprocket hole pitch cumulative tolerance +/-0.20
 Carrier chamber is within 1mm in 250mm
 Material: transparent polystyrene alloy
 All dimensions meet EIA-481-C requirements
 Component load per 330mm reel: 1100 pcs.



Tolerances: 0.1-1.0: ±0.05mm 1.0-5.0: ±0.1mm 5.0-10.0: ±0.2mm 10.0-20.0: ±0.3mm		Date	Name
		09/08	dr
Tolerances	01/13	dr	
Material	07/12	dr	
IP rating	04/12	dr	
Packaging	11/11	dr	
Base color	07/09	dr	
Operating temperature	06/09	dr	
Packaging	06/09	dr	knitter-switch
Operating force	05/09	dr	
Modifications	Date	Name	

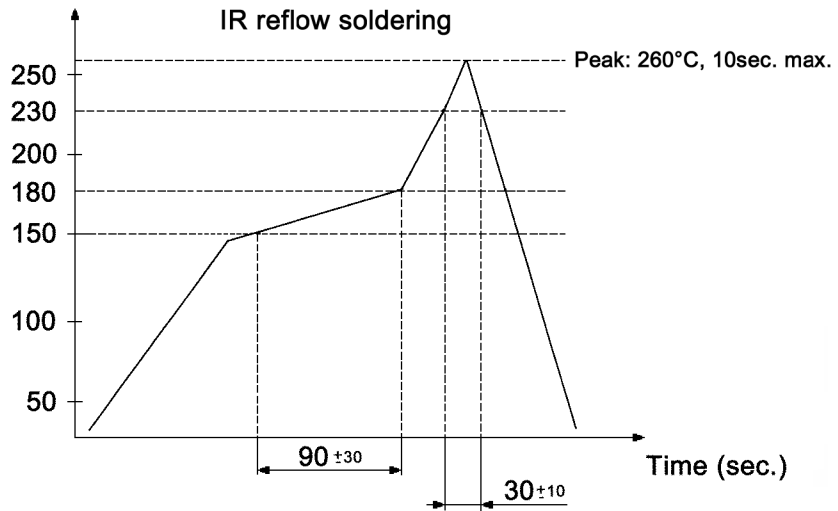
TMPS 1(T)

30 15 94

Specifications:

Contact rating: 20mA, 24V DC; max. 0.5W
Contact resistance: 100mOhm max.
Insulation resistance: 1 000MOhm min. at 100V DC
Dielectric strength: 250V, 50Hz for the duration of 1 minute
Operating temperature: -40°C to +85°C
Mechanical life: min. 1 000 000 cycles
Operating force: 4.5 +/-1.0N
Travel: 0.75 +/-0.25mm
Mounting: on pc-board, SMT
IP rating: IP67
Material: Base: thermoplastic UL94V-0, black
 Button: silicone, ivory
 Contact disc: stainless steel, 0.025µm gold plated over nickel barrier
 Terminal contact: brass, 0.025µm gold plated
 Terminal: brass, tin plated

Soldering conditions:



Tolerances: 0.1-1.0: ±0.05mm 1.0-5.0: ±0.1mm 5.0-10.0: ±0.2mm 10.0-20.0: ±0.3mm	Date	Name	<h1>TMPS 1(T)</h1>
	09/08	dr	
Modifications	Date	Name	

knitter-switch

30 15 94

Page
2/2