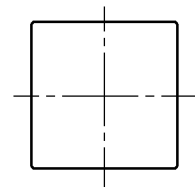
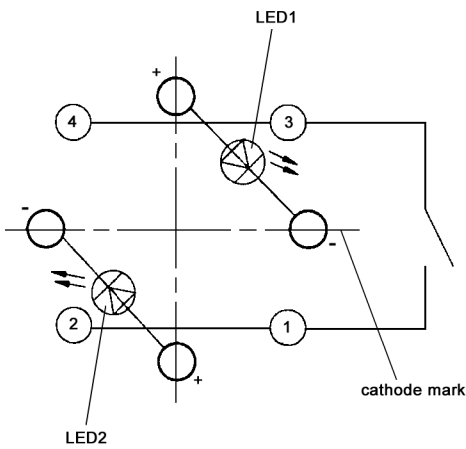
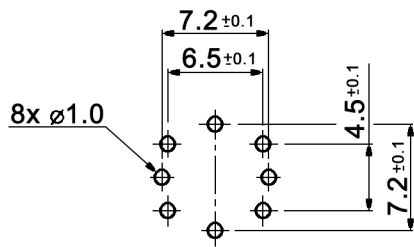


**CIRCUIT DIAGRAM  
(TOP VIEW)**



**P.C.B. MOUNTING  
(TOP VIEW)**



|   |       |      |                       |      |
|---|-------|------|-----------------------|------|
| Tolerances: 0.00: ±0.25mm<br>0.0: ±0.40mm |       |      | Date                  | Name |
|   |       |      | 03/12                 | dr   |
|   |       |      |                       |      |
|   |       |      |                       |      |
|   |       |      |                       |      |
| Rename                                    | 12/12 | dr   | <b>knitter-switch</b> |      |
| Modifications                             | Date  | Name |                       |      |

**LP 10x2zA11**

**30 25 89**

Page

1/2

**Specifications:**

Contact rating: max. 50mA, 24V DC; min. 1mA, 5V DC  
 Contact resistance: 100mOhm max.  
 Insulation resistance: 100Mohm min. at 250V DC  
 Dielectric strength: 500V AC (50/60Hz) for 1 minute  
 Operating temperature: -25°C to +70°C  
 Electrical life: 500 000 cycles  
 Operating force: 160 +/-20gf  
 Soldering conditions: 260 +/-5°C, 5 +/-1sec.  
 Travel: 0.25 +0.2/-0.1mm  
 Switching function: momentary  
 Material: Case / cover: PBT (UL94V-0)  
 Actuator: PC  
 Terminal: brass, silver plated  
 Contacts: stainless steel, silver plated

| x | Actuator colour | z | LED colours |
|---|-----------------|---|-------------|
| 0 | transparent     | B | red/blue    |
| 1 | milky white     | G | red/green   |

**Dual colour LED:**

| Lens appearance | Colour | Electro-optical data (at 20mA) |      |          |       | Peak wavelength (nm) | Viewing angle |
|-----------------|--------|--------------------------------|------|----------|-------|----------------------|---------------|
|                 |        | Vf (V)                         |      | Iv (mcd) |       |                      |               |
|                 |        | Typ.                           | max. | Typ.     | min.  |                      |               |
| Water clear     | red    | 2.0                            | 2.5  | 95.0     | 50.0  | 635.0                | 150°          |
|                 | green  | 3.3                            | 3.7  | 280.0    | 200.0 | 520.0                |               |
|                 | blue   | 3.1                            | 3.6  | 50.0     | 20.0  | 460.0                |               |



|   |      |                       |      |                      |
|---|------|-----------------------|------|----------------------|
| Tolerances: 0.00: ±0.25mm<br>0.0: ±0.40mm |      | Date                  | Name | <h1>LP 10x2zA11</h1> |
|   |      | 03/12                 | dr   |                      |
|   |      |                       |      |                      |
|   |      |                       |      |                      |
|   |      | <b>knitter-switch</b> |      | <h2>30 25 89</h2>    |
|   |      |                       |      | Page<br>2/2          |
| Modifications                             | Date | Name                  |      |                      |