

# Illuminated Pushbutton Switches

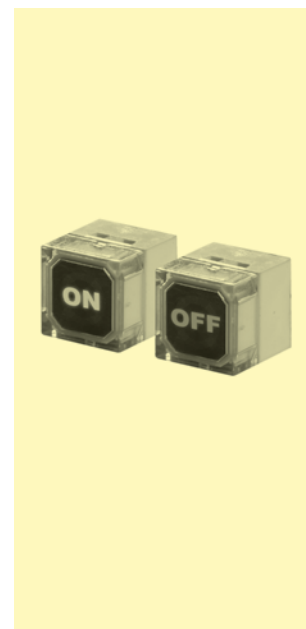
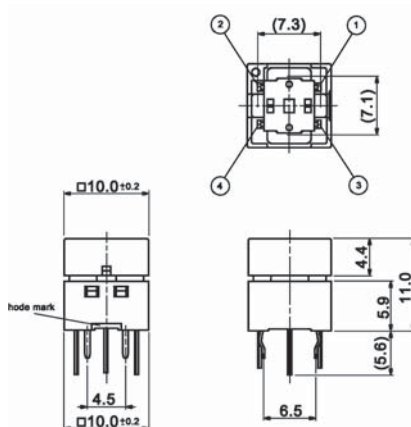
## Specifications:

Contact rating:	24 V DC, 50 mA
Contact resistance:	< 100 mΩ
Insulation resistance:	> 100 MΩ
Dielectric strength:	500 V, 50 Hz for the duration of 1 minute
Operating temperature:	-25 °C to +70 °C
Operating force:	1.6 N ± 0.2 N
Mechanical life:	minimum 500 000 operations
Material:	Contacts: stainless steel, silver plated Terminals: brass, silver plated Case: PBT, UL 94 V-0, white Actuator: PC
Mounting:	on pc-board
Soldering conditions:	wave-soldering: max. 5 sec, max. 260 °C; pre-heat; max. 60 sec, max. 100 °C
Travel:	0.25 mm +0.2/-0.1 mm

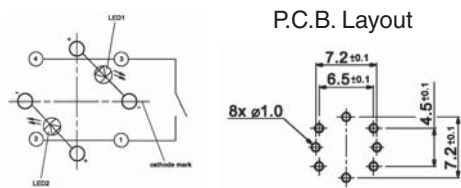
## Models:

Switching functions

LP 10 02GA11 off - mom



P.C.B. Layout



## Ordering Code:

LP 10  2  A1

### Actuator:

- 0 clear
- 1 white transparent

### LEDs:

- B red/blue
- G red/green

### Inlay:

- 0 without inscription
- 1 OFF (red) and ON (second colour)
- 2 切 (rot) und 入 (second colour)
- 3 X (red) and O (second colour)