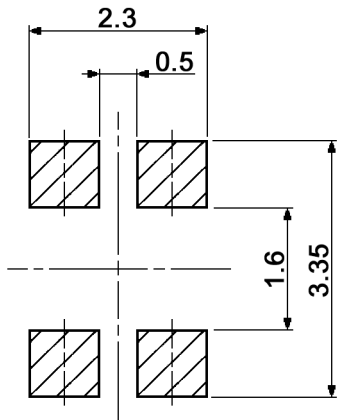
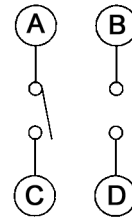


P.C.B. LAND DIMENSION  $\varnothing$  0.05



CIRCUIT DIAGRAM



Compliance: RohS III (2015/863/EU)

Tolerances: up to 10: ±0.2mm above 10-50: ±0.3mm	Date	Name
	02/14	dr
Operating temperature	08/21	cs
Plating	07/17	dr
Specifications	04/15	dr
Modifications	Date	Name

**DTS 226 Cx-T**

**knitter-switch**

**30 30 25**

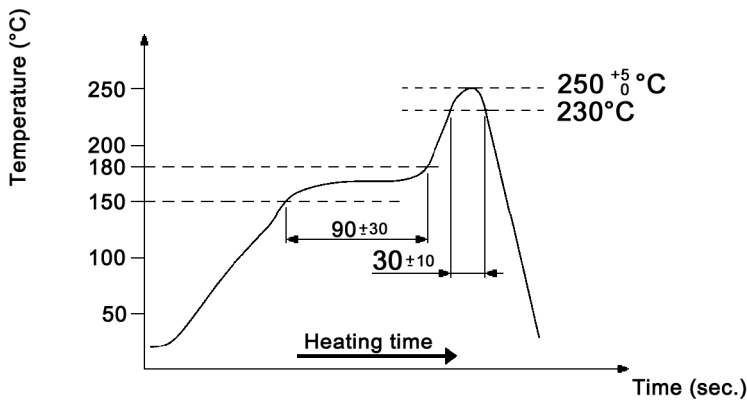
Page

1/3

**Specifications:**

**Contact rating:** max.: 10mA, 5V DC  
 min.: 50µA, 3V DC  
**Contact resistance:** 2000mOhm max.  
**Insulation resistance:** 100MOhm min. at 100V DC for 1 minute  
**Dielectric strength:** 100V AC (50/60Hz, 2mA) for 1 minute  
**Operating temperature:** -40°C to +85°C  
**Mechanical life:** 50 000 cycles  
**Operating force:** 0.25N (26gf) max.  
**Material:** Spring / frame: stainless steel, natural  
 Contact / terminal: phosphor bronze  
 Case / slider: LCP, grey

**Soldering conditions:**

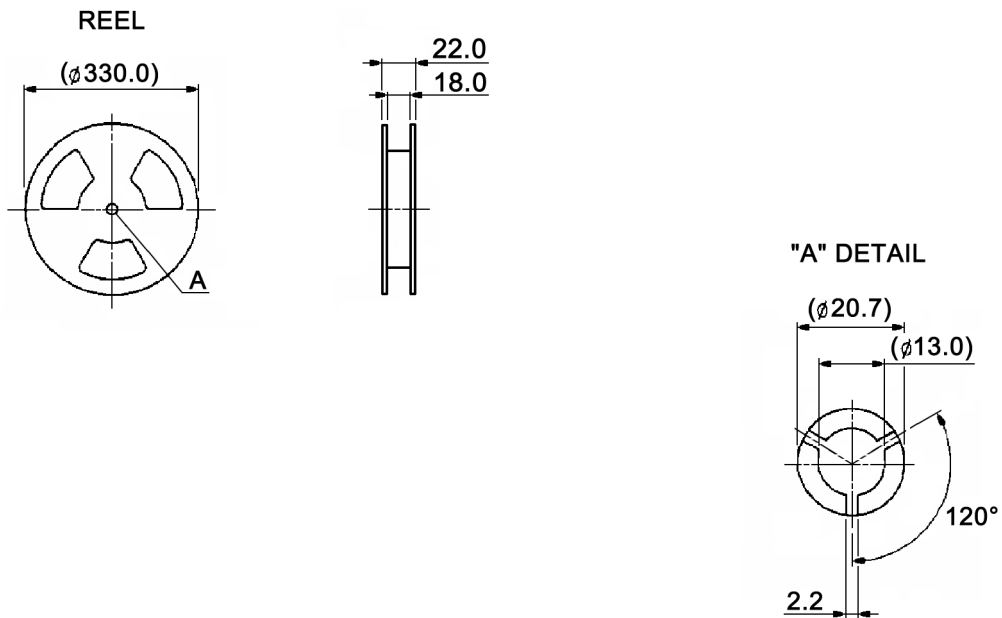


x	Contact surface
(empty)	silver plated
B	0.075µm gold plated

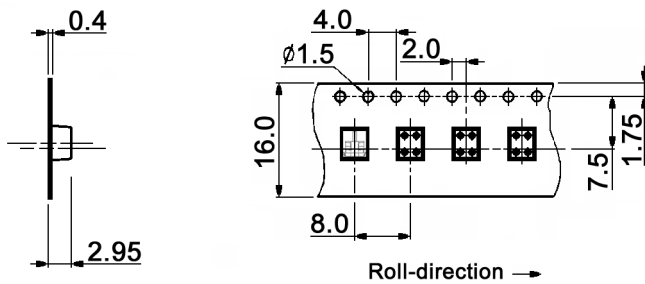
**Compliance: RohS III (2015/863/EU)**

Tolerances: up to 10: ±0.2mm above 10-50: ±0.3mm		Date	Name	<b>DTS 226 Cx-T</b>
		02/14	dr	
Operating temperature	08/21	cs	<b>knitter-switch</b>	<b>30 30 25</b>
Plating	07/17	dr		
Specifications	04/15	dr		
Modifications	Date	Name		Page 2/3

Packaging:



CARRIER TAPE



COVER TAPE



Packaging unit: 3 000 pcs. / reel  
 Compliance: RohS III (2015/863/EU)

Tolerances: up to 10: ±0.2mm above 10-50: ±0.3mm	Date	Name
	02/14	dr
Operating temperature	08/21	cs
Plating	07/17	dr
Specifications	04/15	dr
Modifications	Date	Name

**DTS 226 Cx-T**

**knitter-switch**

**30 30 25**

Page

3/3