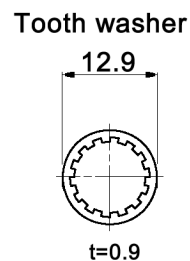
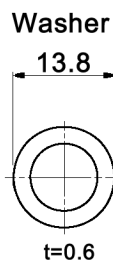
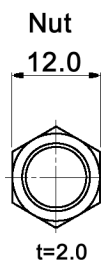
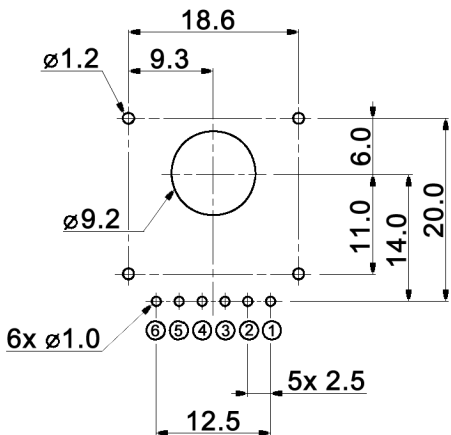
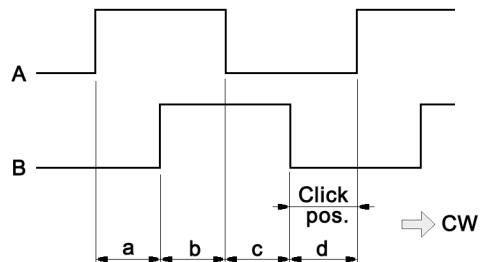


MOUNTING PARTS

MOUNTING HOLE DETAIL

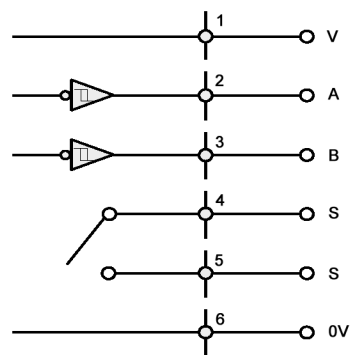


OUTPUT PHASES



a, b, c, d ≥ 100µsec.
Click positions are on the bottom level of output A and B.

OUTPUT CIRCUITRY



Specifications:

- Power supply: 3.3-5V DC, 10mA max.
- Insulation resistance: 100MOhm min. at 250V DC
- Dielectric strength: 300V AC for 1 minute
- Operating temperature: -10°C to +50°C
- Storage temperature: -20°C to +80°C
- Electrical life: 1 000 000 cycles min.
- Soldering conditions: 280°C, 3sec.
- Resolution: 24 pulses / turn
- Detent: 24 detents / turn
- Rotational torque: 45.9 +/-20.4gf.cm (4.5 +/-2mN.m)
- Frequency response: 100Hz max.
- Switch: Rating: 0.1-10mA, 12V DC
Contact resistance: 10Ohm max.
Operating force: 407 +/-204gf (4 +/-2N)
Travel: 0.3 +/-0.05mm

Tolerances: under to 10: ±0.3mm over 10 to 100: ±0.5mm	Date	Name
	04/11	dr

MEOP 19 VG-24C-F21-MTFM2

knitter-switch

30 23 70

Page

1/1

Modifications	Date	Name
---------------	------	------