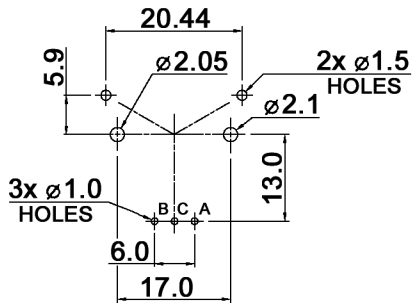


P.C.B. MOUNTING DETAIL  
(TOLERANCE ±0.1)  
VIEW FROM MOUNTING SIDE  
t=1.6mm



Compliance: RohS III (2015/863/EU)

Tolerances:		Date	Name
L≤10:	±0.1 mm	12/17	dr
10<L≤100:	±0.15 mm		
Detents	02/21	dr	
Modifications	Date	Name	

**MER23-10**

**knitter-switch**

**30 39 92**

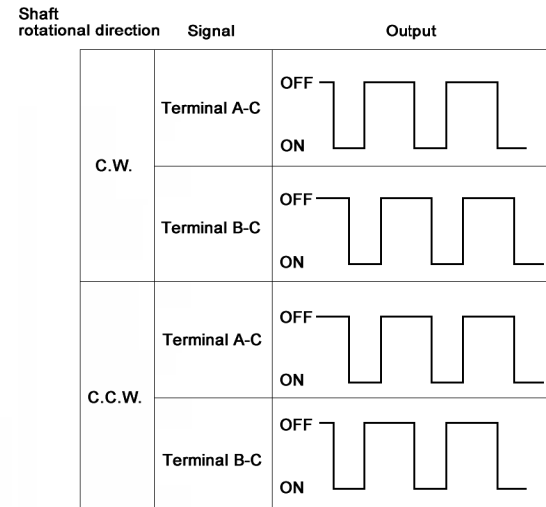
Page

1/2

**Specifications:**

**Contact rating:** 10 mA, 5 V DC  
**Insulation resistance:** 100 Mohm min. at 100 V DC  
**Dielectric strength:** 100 V AC (50/60 Hz, 2 mA) for 1 minute  
**Operating temperature:** -10°C to +60°C  
**Storage temperature:** -40°C to +85°C  
**Resolution:** 10 pulses / 360° for each phase  
**No. of detents:** no detents  
**Rotational torque:** 0.5 Ncm max.  
**Rotational life:** 50 000 cycles  
**Soldering conditions:** 260 +/-5°C, 5 +/-1 sec.  
**Material:** Contacts / terminals: copper alloy, silver plated  
Case: PA66  
Cover: stainless steel

**OUTPUT SIGNAL FORMAT**



Compliance: RohS III (2015/863/EU)

Tolerances:		L≤10: ±0.1 mm	Date	Name	<b>MER23-10</b>
		10<L≤100: ±0.15 mm	12/17	dr	
			<b>knitter-switch</b>		<b>30 39 92</b>
Detents	02/21	dr			Page
Modifications	Date	Name			2/2