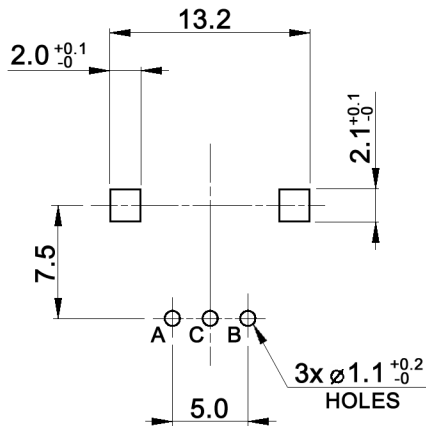


OUTPUT SIGNAL FORMAT

Shaft rotational direction	Signal	Output
C.W.	Terminal A-C	OFF ON
	Terminal B-C	OFF ON
C.C.W.	Terminal A-C	OFF ON
	Terminal B-C	OFF ON

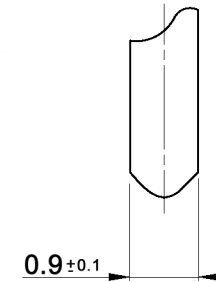
P.C. MOUNTING t=1.6mm



Specifications:

Contact rating:	0.5mA, 5V DC
Insulation resistance:	100MOhm min. at 250V DC
Dielectric strength:	300V AC for 1 minute
Operating temperature:	-10°C to +70°C
Storage temperature:	-40°C to +85°C
Rotational life:	30 000 cycles
Rotational torque:	50gf.cm max.
Resolution:	24 pulses / turn
No. of detents:	no detents
Soldering conditions:	max. 260 +/-5°C, 5 +/-1sec. pre-heat: max. 100°C, max. 120sec.

TERMINAL DETAIL



Tolerances: ≤10: ±0.3mm 10-100: ±0.5mm	Date	Name
	07/10	dr
Output signal format	03/11	dr
Modifications	Date	Name

MER12-24N120

knitter-switch

30 21 37

Page

1/1