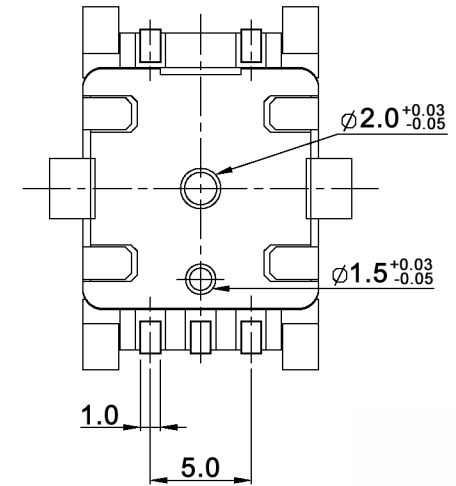
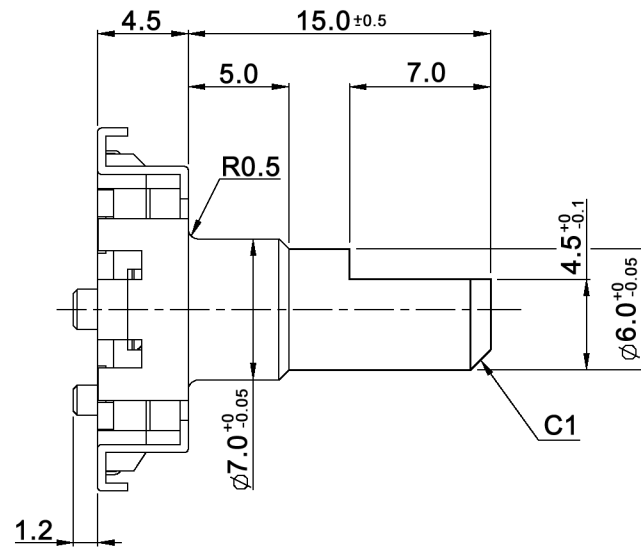


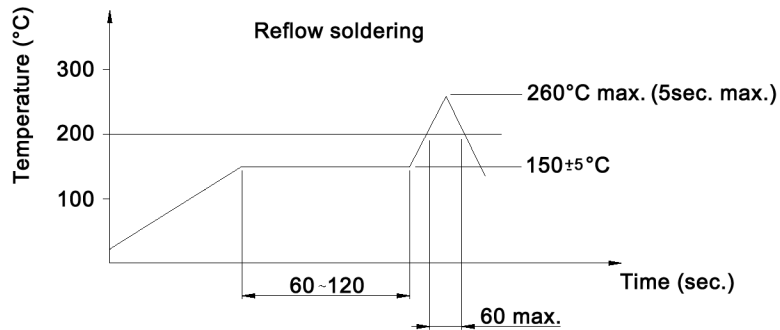
SHAFT FLAT IS OPTIONAL ANGLE



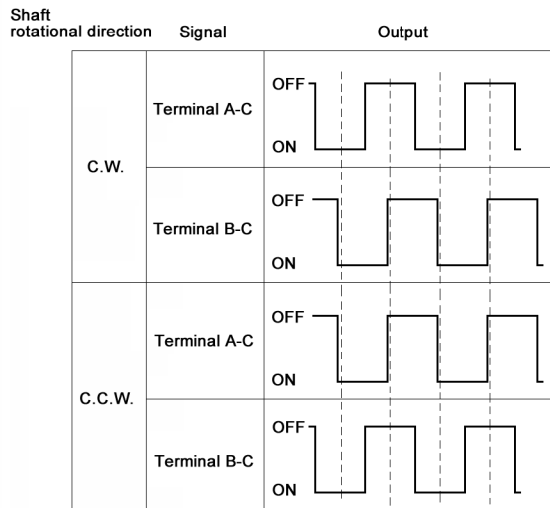
Tolerances: <10: ±0.3mm 10-100: ±0.5mm		Date	Name	<h1>MERS11-15115</h1>
		07/11	dr	
		knitter-switch		<h2>30 24 08</h2>
Modifications		Date	Name	Page 1/2

Specifications:

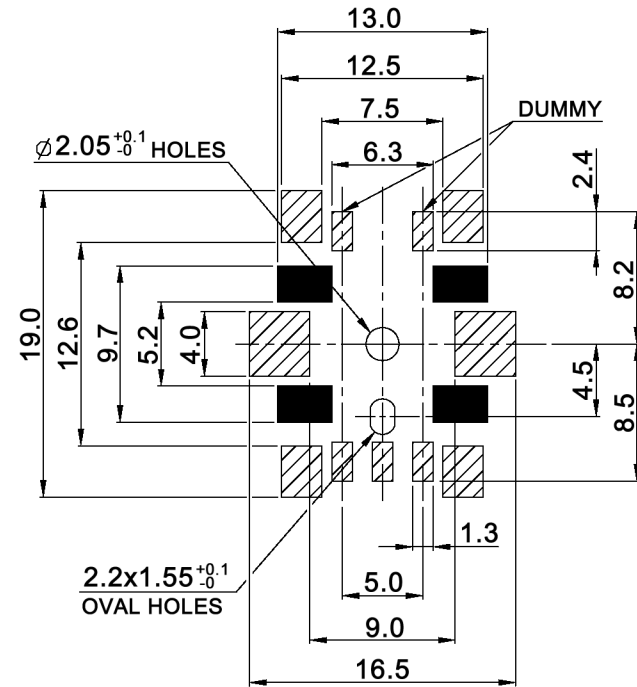
Contact rating: 10mA, 5V DC
 Insulation resistance: 100MOhm min. at 250V DC
 Dielectric strength: 300V AC for 1 minute
 Operating temperature: -40°C to +85°C
 Storage temperature: -40°C to +85°C
 Resolution: 15 pulses / 360° for each phase
 Detent torque: 100 +/-70gf.cm
 No. and pos. of detents: 30 detents; step angle: 12° +/-3°
 Rotational life: 15 000 cycles
 Soldering conditions:



OUTPUT SIGNAL FORMAT



P.C.B. MOUNTING
(TOLERANCE ±0.1)
VIEWED FROM MOUNTING SIDE



A SLANT LINE PART SHOWS THE SOLDER LAND.
BLACK PART: DO NOT SOLDER AND NO WIRING FOR ELECTRICAL CONTACT.



Tolerances: <10: ±0.3mm 10-100: ±0.5mm		Date	Name	<h1>MERS11-15115</h1>
		07/11	dr	
		knitter-switch		<h2>30 24 08</h2>
Modifications		Date	Name	Page 2/2