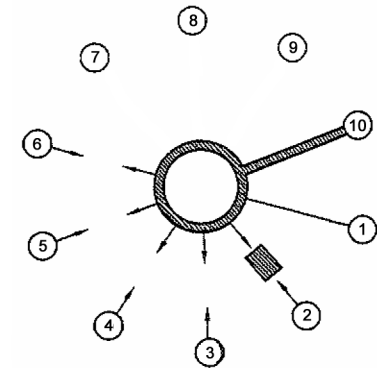


xx	L1	L2
15	15.0	7.0
25	25.0	12.0

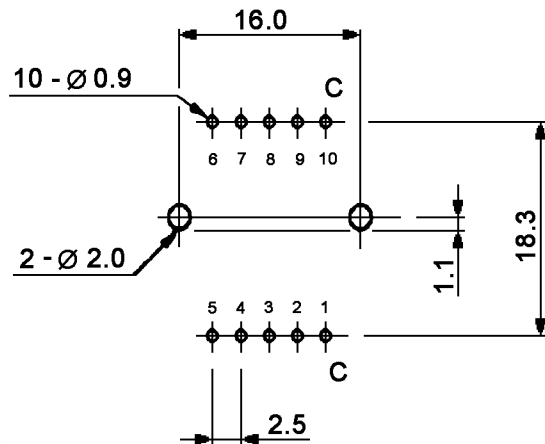
**Specifications:**

- Contact rating: 16V DC; 0,3A max.
- Contact resistance: 50mOhm max.
- Insulation resistance: 100MOhm min. at 250V DC
- Dielectric strength: 500V AC at 1 minute
- Operating temperature: -25°C to +70°C
- Mechanical life: 10 000 operations
- Operating force: 500+/-200gf
- Angle between 2 positions: 30°
- Contact timing: non-shorting
- Soldering conditions: 3 +/- 0,5sec. at 230 +/- 5°C
- Switching function: 1P - 5 positions
- Material: Case: PBT with glass fibre 30%  
Shaft: PA or aluminium

**CIRCUIT DIAGRAM**



**P.C.B.MOUNTING HOLE**



Compliance: RohS III (2015/863/EU)

Tolerances: under to 10: ±0.3mm over 10 to 100: ±0.5mm		Date	Name
		11/04	dr
Rename	11/19	dr	<b>knitter-switch</b>
Revised	07/15	dr	
Modifications	Date	Name	

**MRS 18V-15-N-F-xx-1**

**30 05 17**

Page

1/1