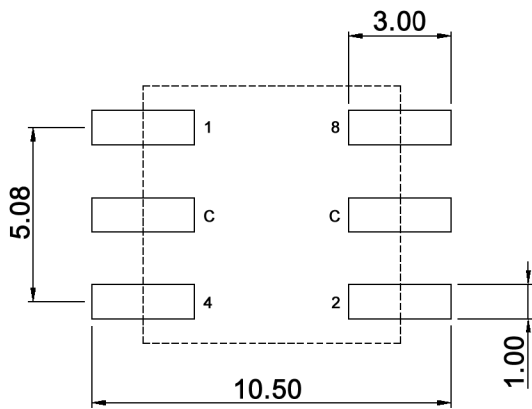


P.C.B. DIMENSION



Hexadecimal inverse

	Complement coded				
	C	1	2	4	8
0	●	●	●	●	●
1	●		●	●	●
2	●	●		●	●
3	●			●	●
4	●	●	●		●
5	●		●		●
6	●	●			●
7	●				●
8	●	●	●	●	
9	●		●	●	
A	●	●		●	
B	●			●	
C	●	●	●		
D	●		●		
E	●	●			
F	●				

Compliance: RohS II (2011/65/EU)

Tolerances:	Date	Name
	10/08	dr
Packaging	02/15	dr
Packaging	05/10	dr
Soldering conditions	10/09	dr
Material	05/09	dr
Modifications	Date	Name

SMR 16116

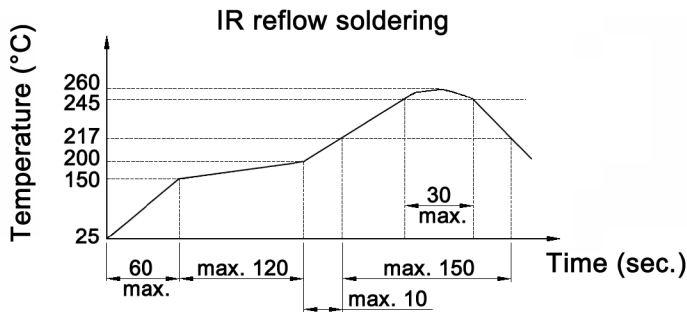
knitter-switch

30 16 23

Page 1/3

**Specifications:**

**Contact rating:** non-switching: 400mA, 42V  
 switching: 100mA, 42V  
**Contact resistance:** 80mOhm max.  
**Insulation resistance:** 100MOhm min. at 250V DC for 1 minute +/-5sec.  
**Dielectric strength:** 250V DC (50Hz/60Hz) for 1 minute  
**Operating temperature:** -50°C to +125°C  
**Storage temperature:** -55°C to +135°C  
**Mechanical life:** 25 000 cycles  
**Operating force:** 120 +/-30gf/cm  
**Material:** Cover / spring plate / guide plate: stainless steel  
 Contact / terminal: phosphor bronze, min. 0.07µm gold plated  
 over min. 0.3µm nickel  
 Rotor / base: LCP, UL94V-0  
 O-ring: silicone  
 Actuator color: ivory  
**Protection:** IP67  
**Soldering conditions:**

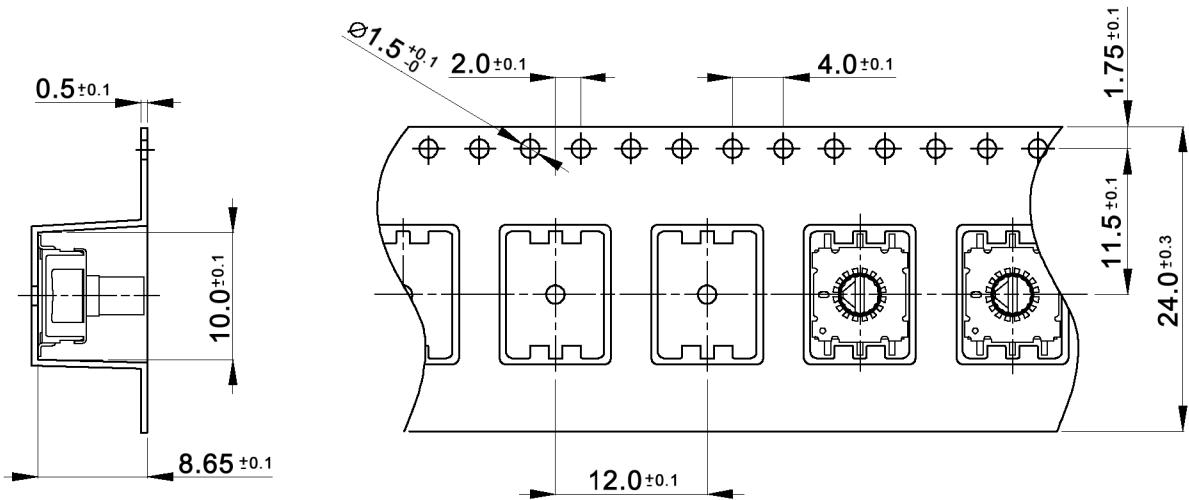
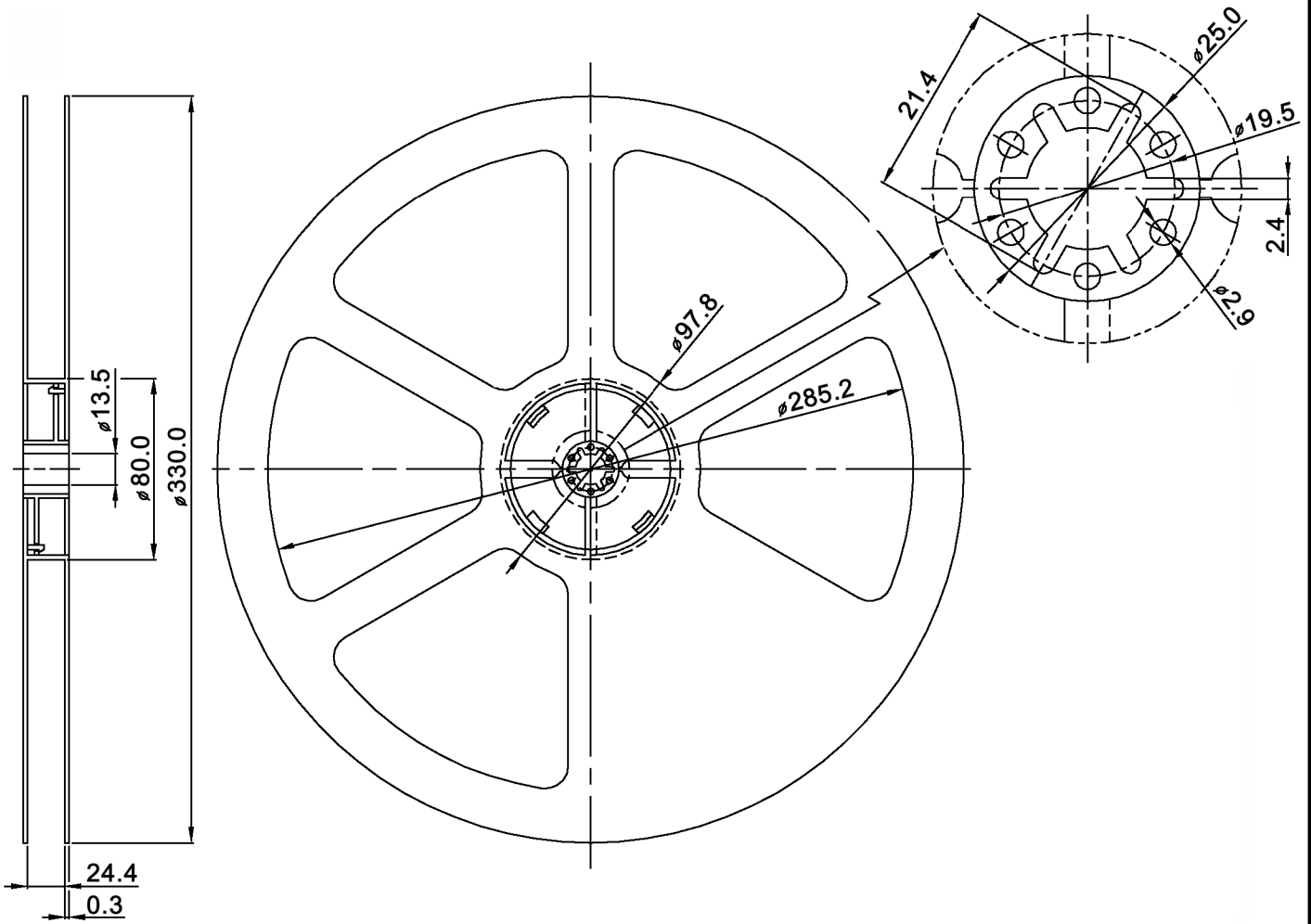


Type	Packaging unit
SMR 16116	70 pcs. per stick
SMR 16116 T	600 pcs. per reel

Compliance: RohS II (2011/65/EU)

Tolerances:	Date	Name	<h1>SMR 16116</h1>
	10/08	dr	
			<h2>30 16 23</h2>
			Page
			2/3
Modifications	Date	Name	

Packaging:



Compliance: RohS II (2011/65/EU)

Tolerances:	Date	Name	<h1>SMR 16116</h1>
	05/10	dr	
			<h2>30 16 23</h2>
			Page
			3/3
Modifications	Date	Name	

**knitter-switch**