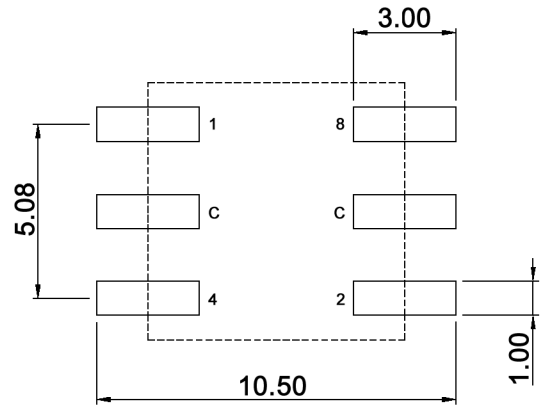
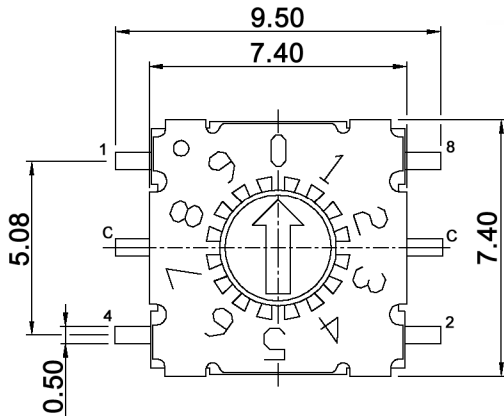


P.C.B. DIMENSION



BCD

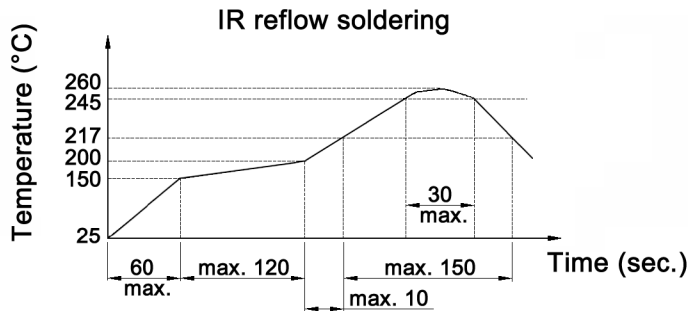
		Real coded				
		C	1	2	4	8
10 P o s i t i o n s	0	●				
	1	●	●			
	2	●		●		
	3	●	●	●		
	4	●			●	
	5	●	●			●
	6	●		●	●	
	7	●	●	●	●	
	8	●				●
	9	●	●			●

Compliance: RohS II (2011/65/EU)

Tolerances:			Date	Name	<h1>SMR 16010</h1>
			10/08	dr	
Packaging	02/15	dr	knitter-switch		<h2>30 16 20</h2>
Packaging	05/10	dr			
Soldering conditions	10/09	dr			
Material	05/09	dr	knitter-switch		Page
Modifications	Date	Name			1/3

Specifications:

Contact rating: non-switching: 400mA, 42V
 switching: 100mA, 42V
Contact resistance: 80mOhm max.
Insulation resistance: 100MOhm min. at 250V DC for 1 minute +/-5sec.
Dielectric strength: 250V DC (50Hz/60Hz) for 1 minute
Operating temperature: -50°C to +125°C
Storage temperature: -55°C to +135°C
Mechanical life: 25 000 cycles
Operating force: 120 +/-30gf/cm
Material: Cover / spring plate / guide plate: stainless steel
 Contact / terminal: phosphor bronze, min. 0.07µm gold plated
 over min. 0.3µm nickel
 Rotor / base: LCP, UL94V-0
 O-ring: silicone
 Actuator color: pink
Protection: IP67
Soldering conditions:

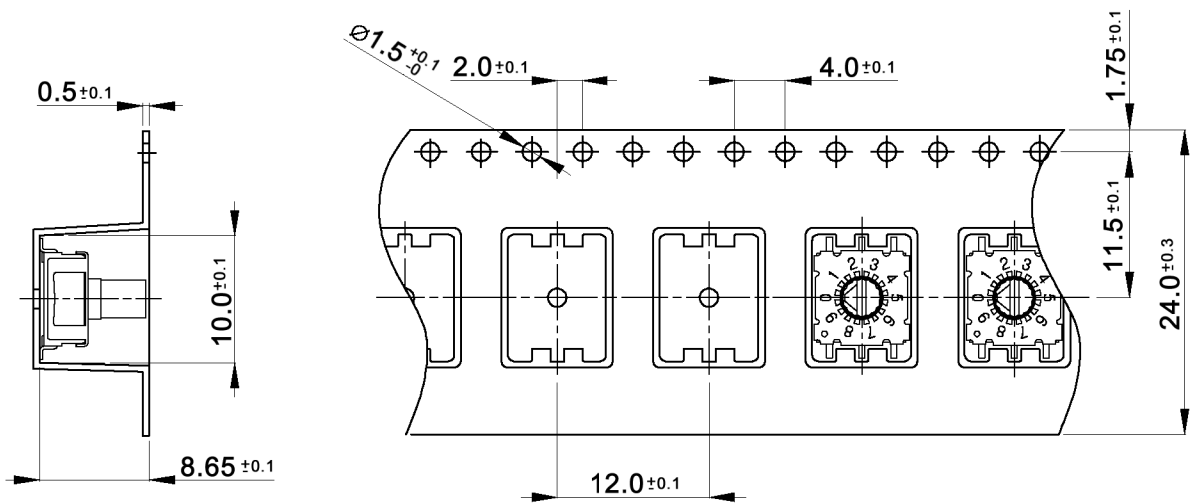
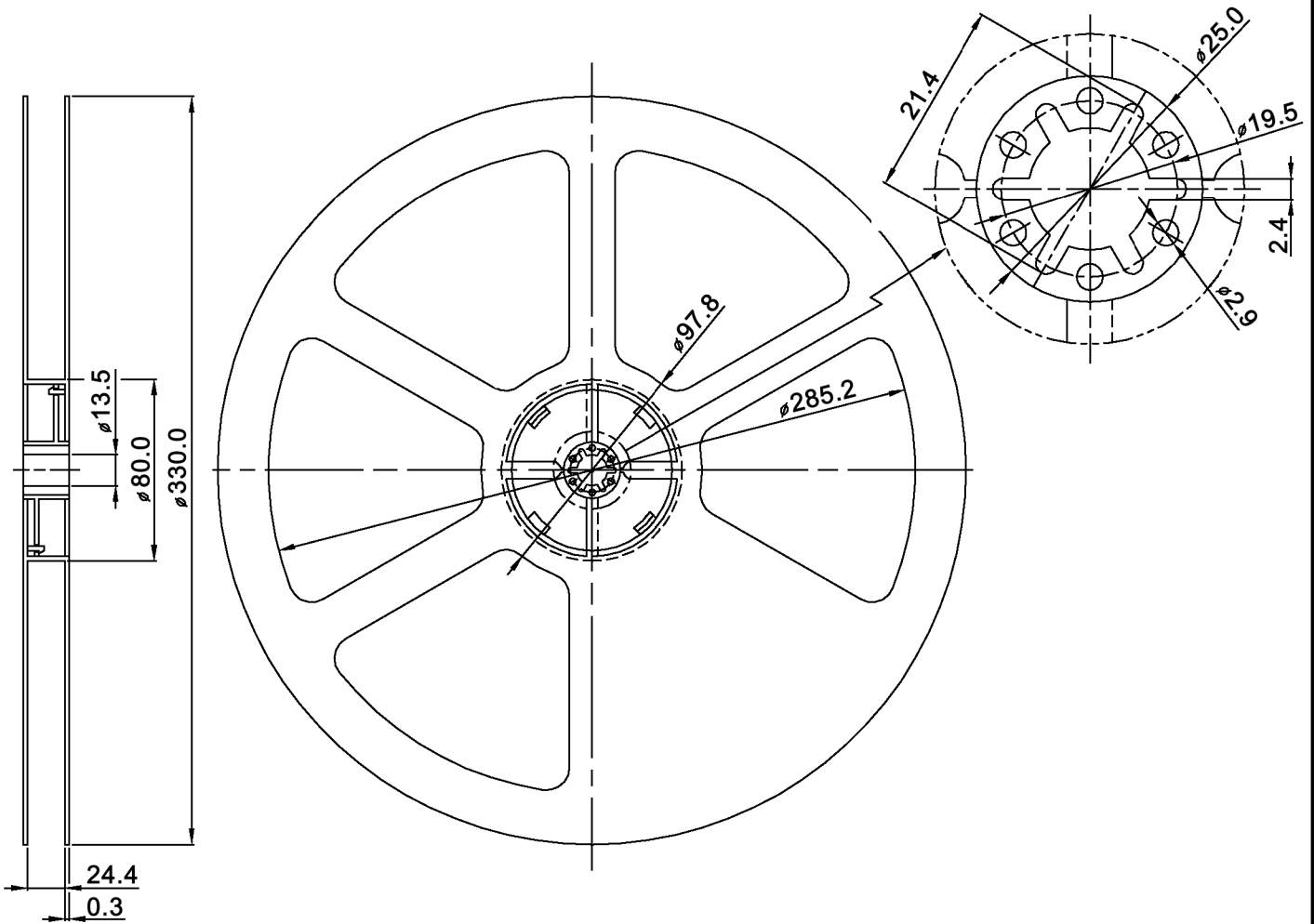


Type	Packaging unit
SMR 16010	70 pcs. per stick
SMR 16010 T	600 pcs. per reel

Compliance: RohS II (2011/65/EU)

Tolerances:	Date	Name	SMR 16010
	10/08	dr	
			30 16 20
			knitter-switch
			30 16 20
Modifications	Date	Name	Page 2/3

Packaging:



Compliance: RohS II (2011/65/EU)

Tolerances:	Date	Name	<h1>SMR 16010</h1>
	05/10	dr	
			<h2>30 16 20</h2>
			Page
			3/3
Modifications	Date	Name	

knitter-switch

Page

3/3