

Hexadecimal inverse

	Complement coded				
	C	1	2	4	8
0	●	●	●	●	●
1	●		●	●	●
2	●	●		●	●
3	●			●	●
4	●	●	●		●
5	●		●		●
6	●	●			●
7	●				●
8	●	●	●	●	
9	●		●	●	
A	●	●		●	
B	●			●	
C	●	●	●		
D	●		●		
E	●	●			
F	●				

16
P
o
s
i
t
i
o
n
s

Compliance: RohS II (2011/65/EU)

Tolerances:	Date	Name
	10/08	dr
Packaging	02/15	dr
Packaging	06/12	dr
Soldering conditions	10/09	dr
Material	05/09	dr
Modifications	Date	Name

SMR 15116

knitter-switch

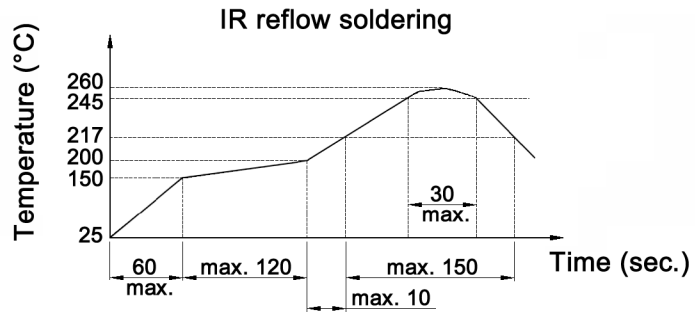
30 16 19

Page
1/3

Specifications:

Contact rating: non-switching: 400mA, 42V
 switching: 100mA, 42V
Contact resistance: 80mOhm max.
Insulation resistance: 100MOhm min. at 250V DC for 1 minute +/-5sec.
Dielectric strength: 250V DC (50Hz/60Hz) for 1 minute
Operating temperature: -50°C to +125°C
Storage temperature: -55°C to +135°C
Mechanical life: 25 000 cycles
Operating force: 120 +/-30gf/cm
Material: Cover / spring plate / guide plate: stainless steel
 Contact / terminal: phosphor bronze, min. 0.07µm gold plated
 over min. 0.3µm nickel
 Rotor / base: LCP, UL94V-0
 O-ring: silicone
 Actuator color: ivory

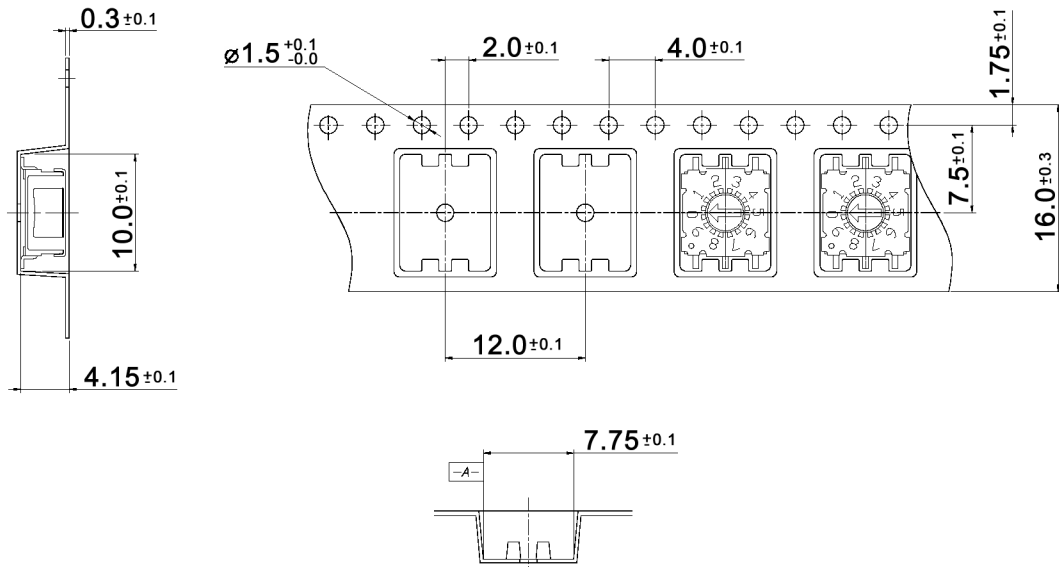
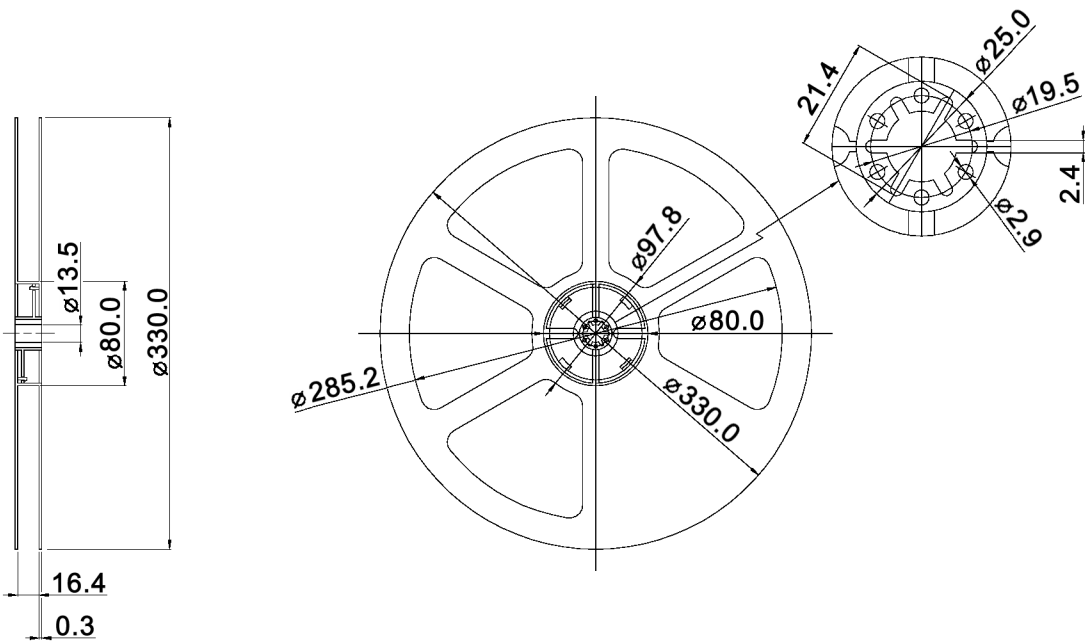
Protection: IP67
Soldering conditions:



Compliance: RohS II (2011/65/EU)

Tolerances:	Date	Name	SMR 15116
	10/08	dr	
			30 16 19
			Page
			2/3
Modifications	Date	Name	

Packaging:



Type	Packaging unit
SMR 15116	70 pcs. per stick
SMR 15116 T	1300 pcs. per reel

Tolerances on tape: ±0.20mm
 Compliance: RohS II (2011/65/EU)

Tolerances:	Date	Name
0.0: ±0.13mm	10/08	dr
0.00: ±0.10mm		
Modifications	Date	Name

SMR 15116

knitter-switch

30 16 19

Page

3/3