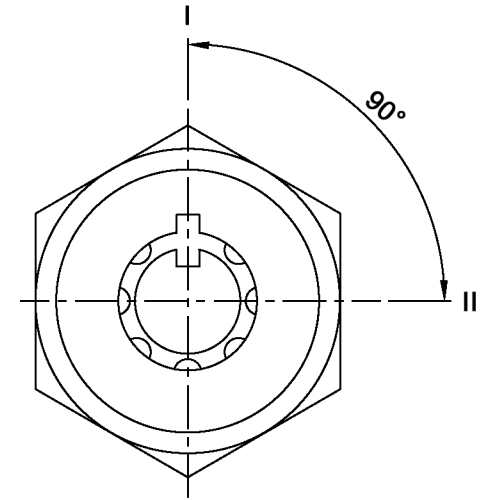
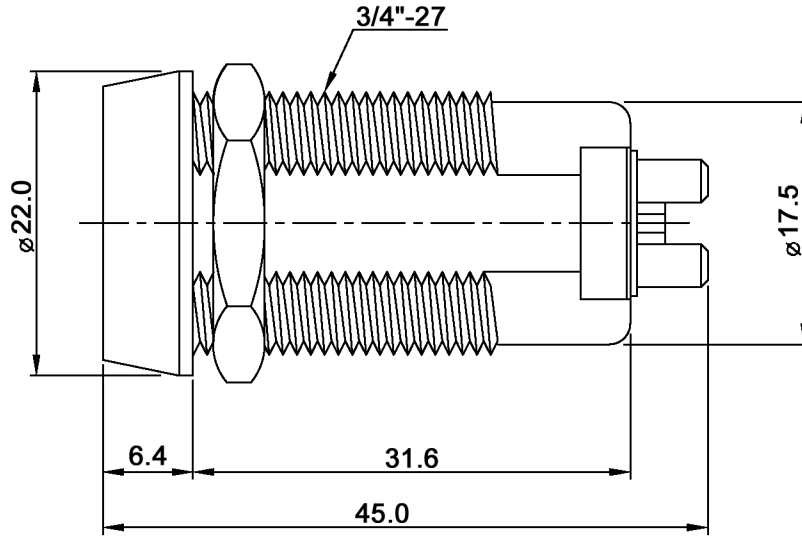
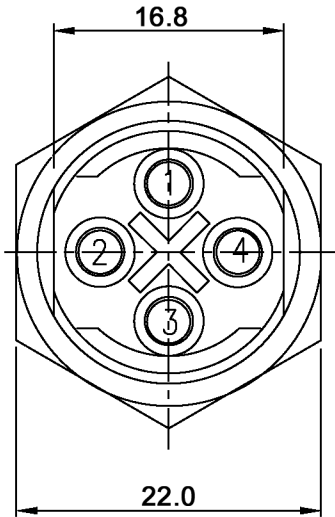
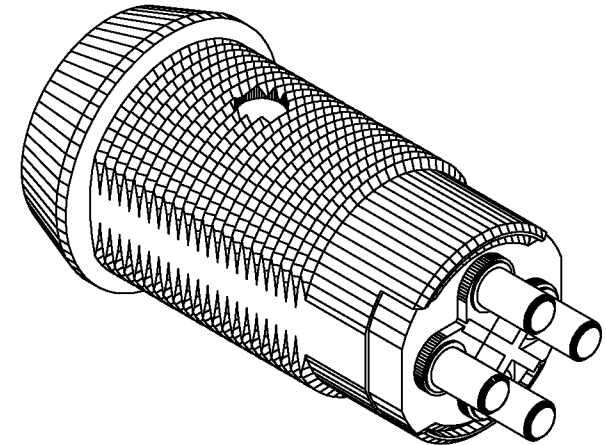
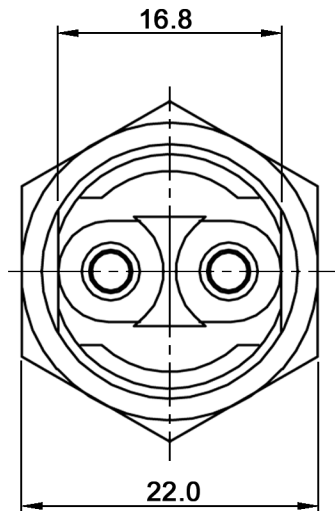


MRK 202-DA



MRK 202-1, MRK 202-2, MRK 202-A



| x | Switching function | Key removable in pos. |
|----|--------------------|-----------------------|
| 1 | off - on | I |
| 2 | off - on | I, II |
| A | off - mom | I |
| DA | on(1-3) - mom(2-4) | I |

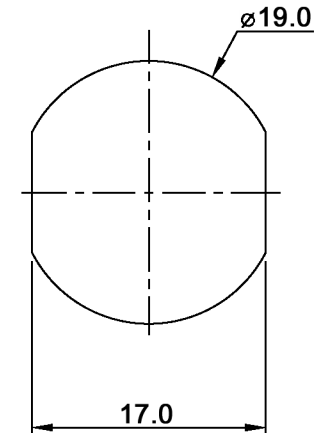
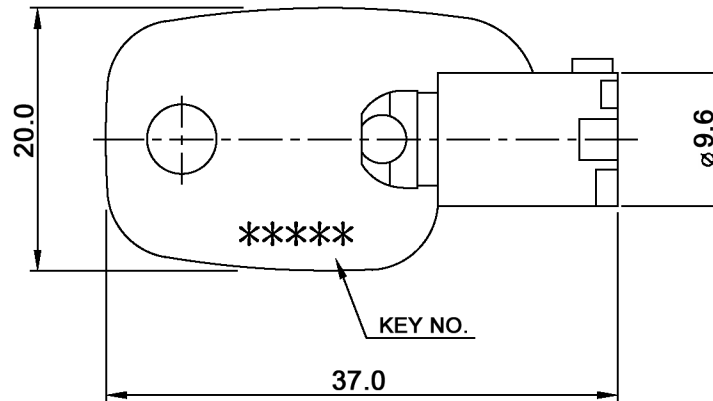
Compliance: RohS III (2015/863/EU)

| | | | | | |
|--|-------|------|-----------------------|------------|--------------------|
| Tolerances: >0: ±0.3 mm >6: ±0.5 mm >30: ±0.8 mm | | | Date 08/17 | Name dr | <h1>MRK 202-x</h1> |
| | | | | | |
| | | | knitter-switch | | <h2>30 39 21</h2> |
| Revised | 08/20 | dr | | | Page 1/2 |
| Modifications | Date | Name | | | |

Specifications:

Contact rating: 2 A, 250 V AC; 4 A, 125 V AC
Contact resistance: 50 mOhm max.
Insulation resistance: 500 MOhm min.
Dielectric strength: 1500 V, 50 Hz for the duration of 1 minute
Operating temperature: -20°C to +70°C
Mechanical life: min. 10 000 steps
Material: Case: zinc alloy, chromium plated
 Contacts / terminals: silver plated
 Key: steel, nickel plated
Number of keys supplied: 2

RECOMMENDED HOLE SIZE



Compliance: RohS III (2015/863/EU)

| | | | | | |
|--|-------|------|-----------------------|------|------------------|
| Tolerances: >0: ±0.3 mm >6: ±0.5 mm >30: ±0.8 mm | | | Date | Name | MRK 202-x |
| | | | 08/17 | dr | |
| | | | | | |
| | | | | | |
| | | | knitter-switch | | 30 39 21 |
| Revised | 08/20 | dr | | | Page |
| Modifications | Date | Name | | | 2/2 |