

Illuminated Pushbutton Switches for SMT, waterproof



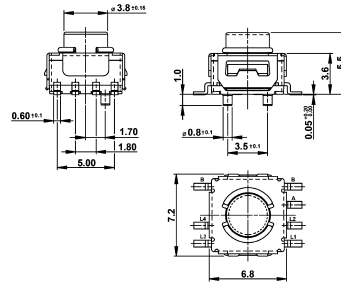
Specifications:

Contact rating:	12 V DC, 50 mA
Contact resistance:	< 100 mΩ
Insulation resistance:	> 100 MΩ
Dielectric strength:	250V, 50 Hz for the duration of 1 minute
Operating temperature:	-40°C to +85°C
Operating force:	2 N ± 0.5 N
Mechanical life:	minimum 300 000 operations
Material:	Contacts: stainless steel, silver-plated, optionally gold-plated Terminals: Brass, silver plated, optionally gold-plated Case: PPA, white Actuator: silicone rubber
Protection:	IP 67
Mounting:	on pc-board – SMT

Models: Switching functions

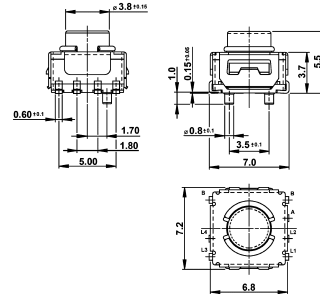
TSSLE 6868 R WNN

off – mom



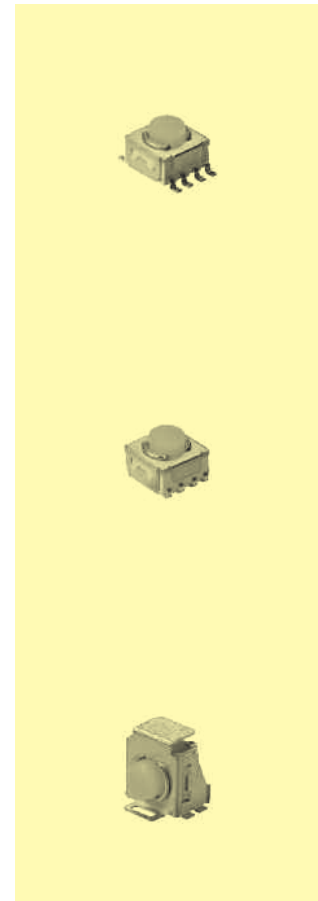
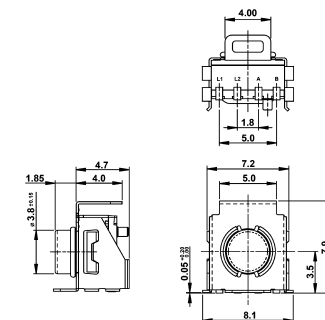
TSSLE 6868 R RGB-J

off – mom



TSSLE 6868 R RA RB

off – mom



Ordering Code:

TSSLE 6868 R

Contact:	Operation:	LED:	Terminals:
<input type="checkbox"/> silver	<input type="checkbox"/> top	Operation from top	<input type="checkbox"/> Gullwing
<input type="checkbox"/> gold	<input type="checkbox"/> side	<input type="checkbox"/> no LED	<input type="checkbox"/> J-hooks
		<input type="checkbox"/> RGB	(not for RA)
		<input type="checkbox"/> xyN two LEDs	
		<input type="checkbox"/> xNN one LED	
		Side-Operation	
		<input type="checkbox"/> NN no LED	
		<input type="checkbox"/> xy two LEDs	
		<input type="checkbox"/> xN one LED	

x, y	Color
R	red
Y	yellow
G	green
B	blue
P	pure-green
A	amber
W	white