

Input Systems Metal Keyboards



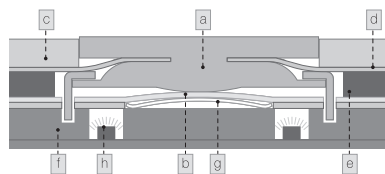
IP-Line

IP-Line is a full range of standard stainless steel keyboards that can be purchased in small quantities without the expense of engineering costs. This special line with front panel and keys with thick stainless steel, is ideally used in hard circumstances or public places (cash-point machines, access codes, petrol stations, etc.); high IP protection (IP 65, on demand up to max. IP 69K) and impact strength (up to IK 08).



Standard Specification:

Material:	Stainless steel keybody 316L, silicon rubber seal
Switch stroke:	0.6 mm ± 0.1 mm
Connection:	PS/2, USB, RS-232
Actuation force:	4.5 N
Life expectancy:	> 3 000 000 cycles
Protection degree:	IP 65 without trackball – IP 54 with trackball
Protection degree against vandal-acts:	IK 08
Contact resistance:	< 30 Ohm
Power input:	I _{max} = 50 mA – V _{max} = 25 V AC/DC
Insulation resistance:	> 500 K Ohm
Operation temperature:	-10 °C to +70 °C (0 °C to +50 °C with trackball)



- a. IP-Line Module
- b. Protection layer PET
- c. Stainless steel frontpanel
- d. Silicon seal
- e. Eventual neoprene seal
- f. PCB
- g. Metal dome
- h. Eventual LED lights

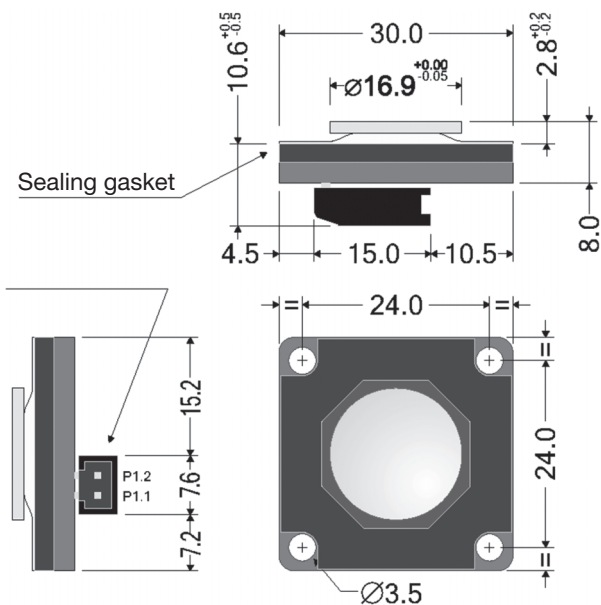


Input Systems Metal Keyboards

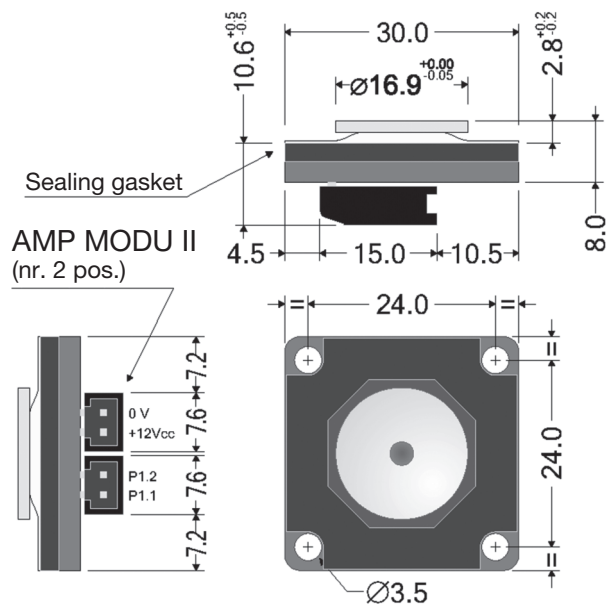
IP-Line

Models:

YME IP 01 A



YME IP 01 B

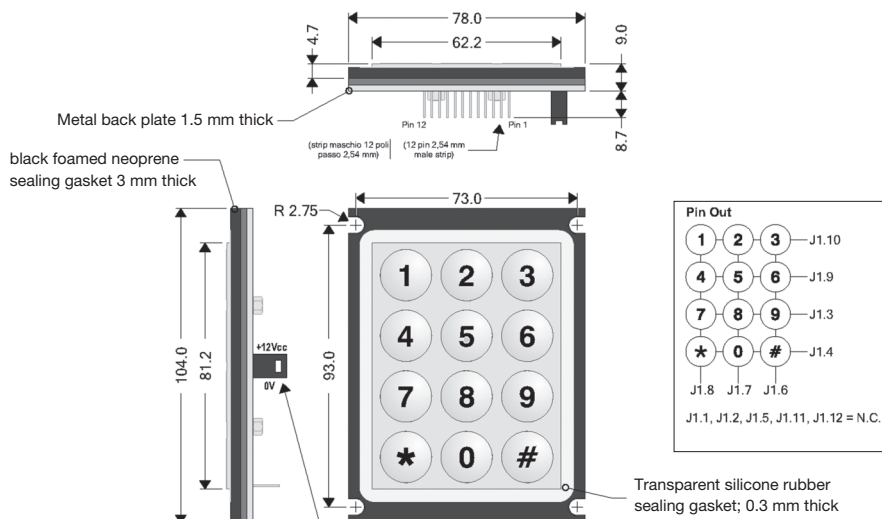


Input Systems Metal Keyboards

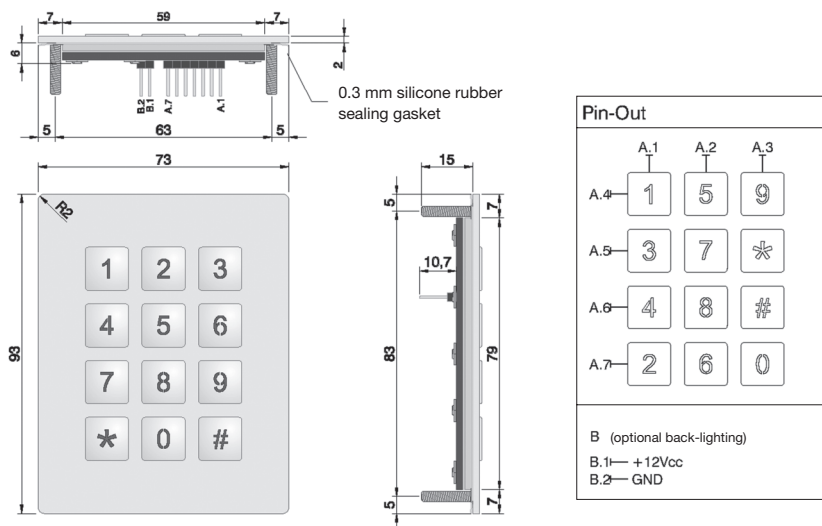
IP-Line

Models:

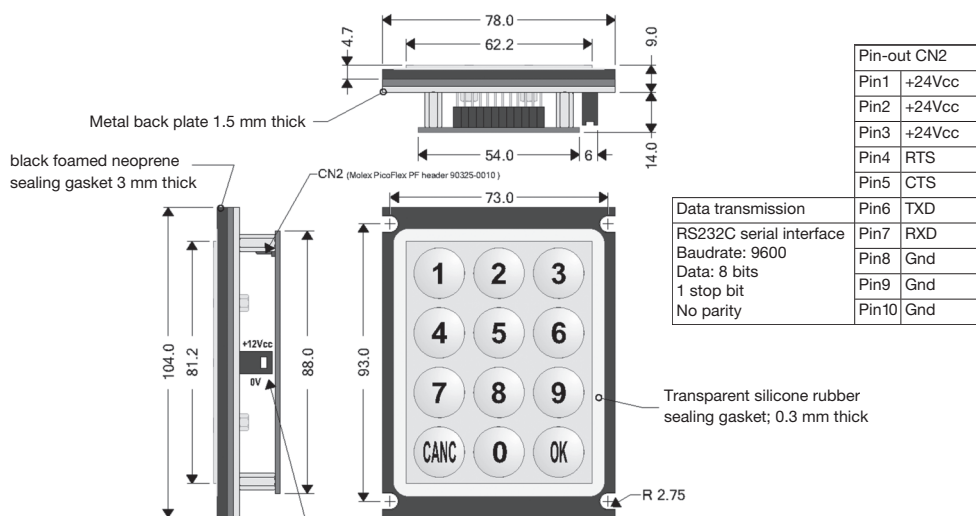
YME IP 12 D



YME IP 12 H



YME IP 12 L



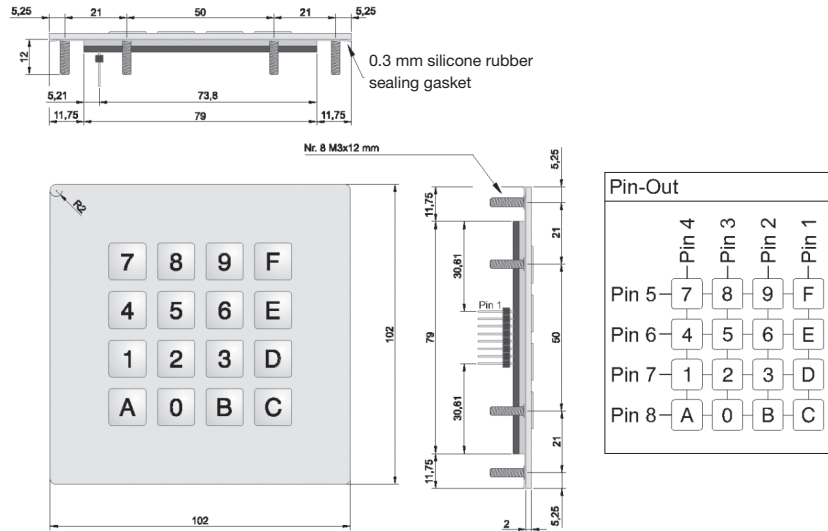


Input Systems Metal Keyboards

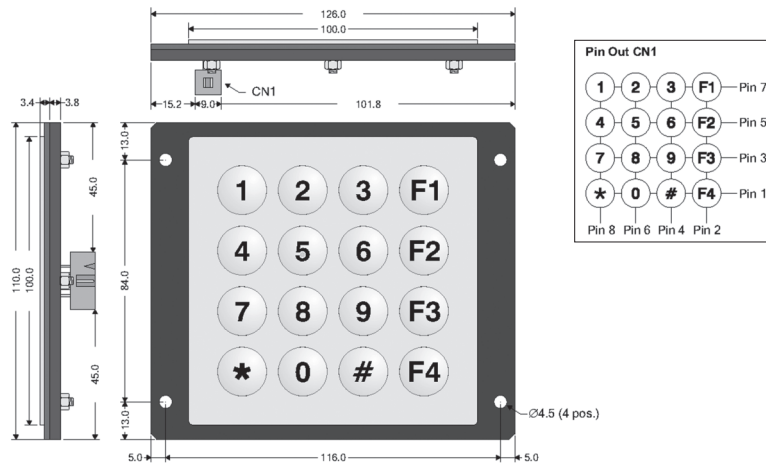
IP-Line

Models:

YME IP 16 I



YME IP 16 N



Customized products on request