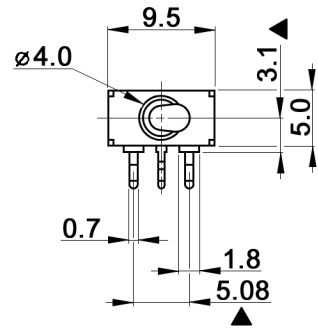
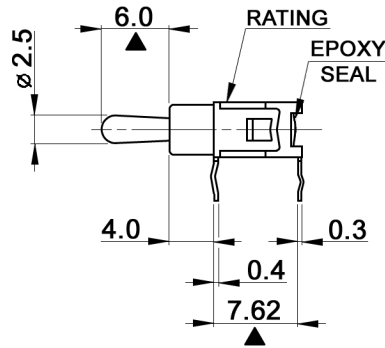
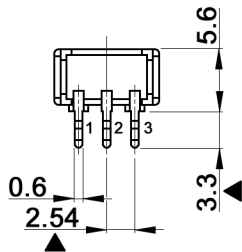
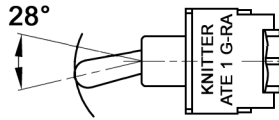


FOR EXAMPLE



Toggle shown in pos. a

**CONTACT ARRANGEMENT**

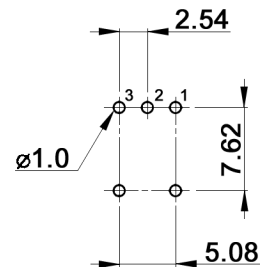
code for x	function	toggle in pos. a	toggle in pos. c
D	On-On	2-3	1-2
F	On-Mom	2-3	1-2

code for x	function	toggle in pos. a	toggle in pos. b	toggle in pos. c
E	On-Off-On	2-3	open	1-2
G	Mom-Off-Mom			
H	On-Off-Mom			

**Specifications:**

- Contact rating:** max.: 0.4VA, 48V AC or DC, 50mA  
min.: 1µA, 20mV AC or DC
- Contact resistance:** 50mOhm max. at 2-4V DC, 100mA
- Insulation resistance:** 1000MOhm min. at 500V DC for 1 minute
- Dielectric strength:** 500V AC (50/60 Hz) for 1 minute
- Operating temperature:** -20°C to +85°C
- Electrical life:** 40 000 make-and-break cycles
- Soldering conditions:** wave-soldering: 260 +/-5°C, 5 +/-1sec.
- Protection:** IP67
- Material:** Actuator: brass, chrome plated  
Bushing / housing: steel  
Case: glass filled nylon 6/6, flame retardant, heat stabilized (UL94V-0)  
Contact / terminals: phosphor bronze, gold plated over nickel barrier

**P.C. MOUNTING**



Compliance: RohS II (2011/65/EU)

Tolerances: 0.00: ±0.25mm 0.0: ±0.40mm	Date	Name
	03/14	dr
Print	08/17	dr
Modifications	Date	Name

**ATE 1 x-RA**

**30 30 54**

Page

1/1

**knitter-switch**