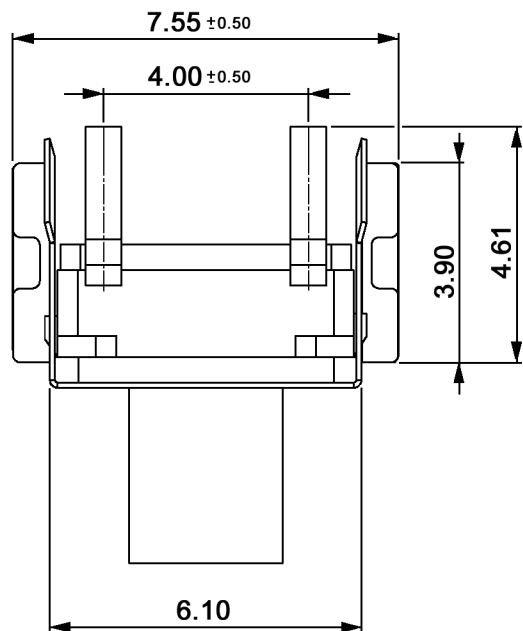
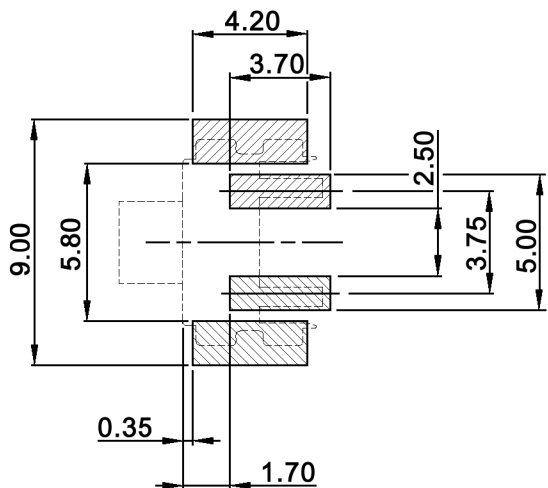
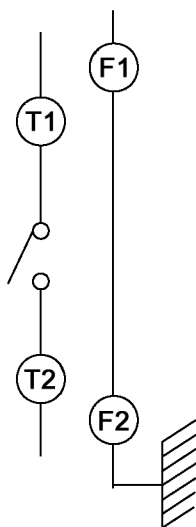


P.C.B. LAYOUT



CIRCUIT DIAGRAM



Compliance: RohS III (2015/863/EU)

Tolerances: ±0.20mm	Date	Name
	01/06	dr
Dimension	08/20	dr
Rename	04/12	dr
Travel	08/10	dr
Modifications	Date	Name

TSSE 633 x-RA

knitter-switch

30 07 65

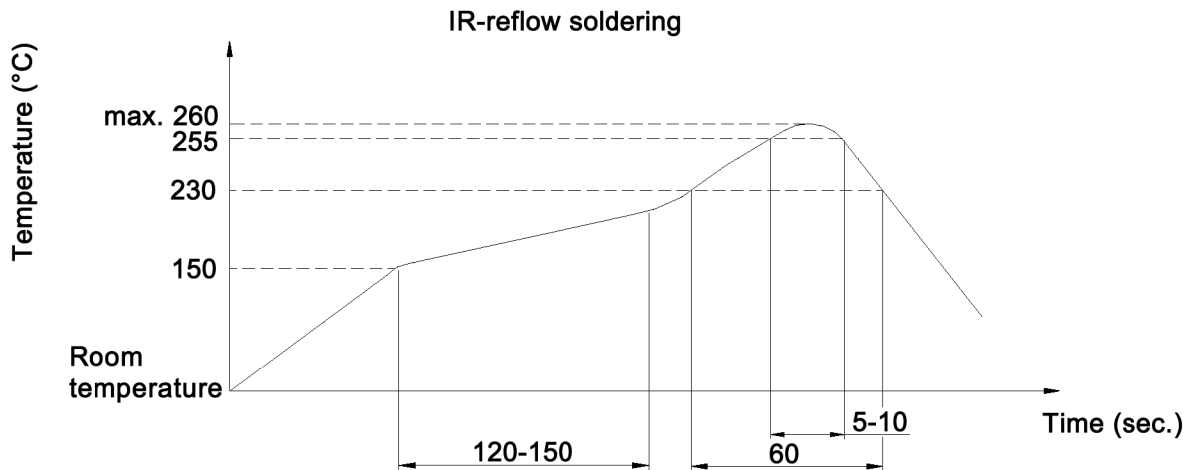
Page

1/2

Specifications:

Contact rating: 50mA, 12V DC
Contact resistance: 100mOhm max.
Insulation resistance: 100MOhm min. at 500V DC for 1 minute
Dielectric strength: 250V AC (50Hz or 60Hz) for 1 minute
Operating temperature: -40°C to +85°C
Storage temperature: -40°C to +85°C
Mechanical life: 500 000 cycles
Travel: 0.45 +/-0.2mm
Material: Cover: nickel silver
 Sealed rubber: silicone rubber hardness: 70°-60°
 Contact: phosphor bronze, silver plated
 Terminal: brass, silver plated
 Base: high-temp. thermoplastic PA9T UL94V-0, molded black

Soldering conditions:



x	Operating force (gf)	Stem colour
R	260 +/-70	red
N	180 +/-50	brown
RK	260 +/-70	black
NK	180 +/-50	black

Compliance: RohS III (2015/863/EU)

Tolerances: ±0.20mm		Date	Name	TSSE 633 x-RA
		01/06	dr	
Dimension	08/20	dr	knitter-switch	30 07 65
Rename	04/12	dr		
Travel	08/10	dr		
Modifications	Date	Name		Page 2/2