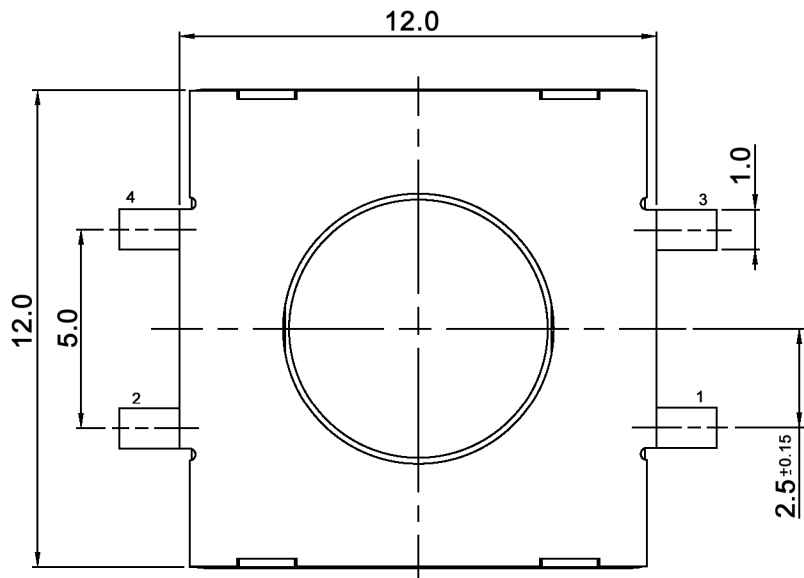
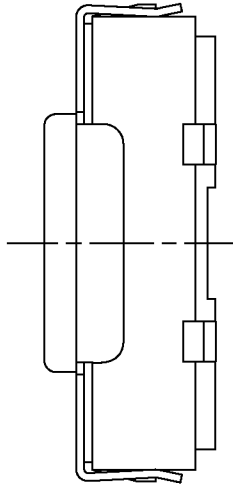
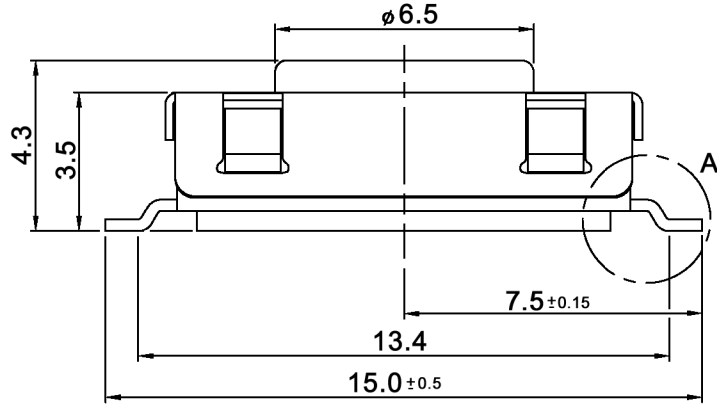
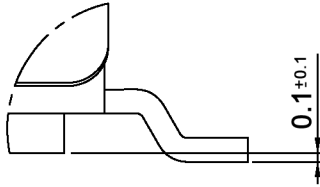
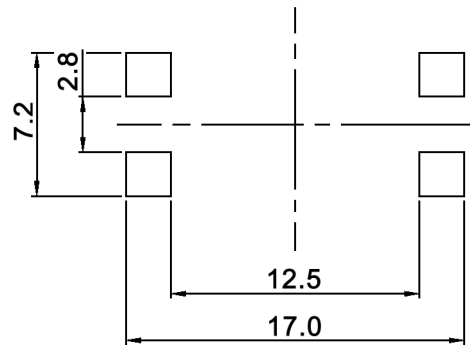


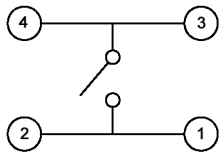
DETAIL A



P.C.B. LAYOUT



CIRCUIT DIAGRAM

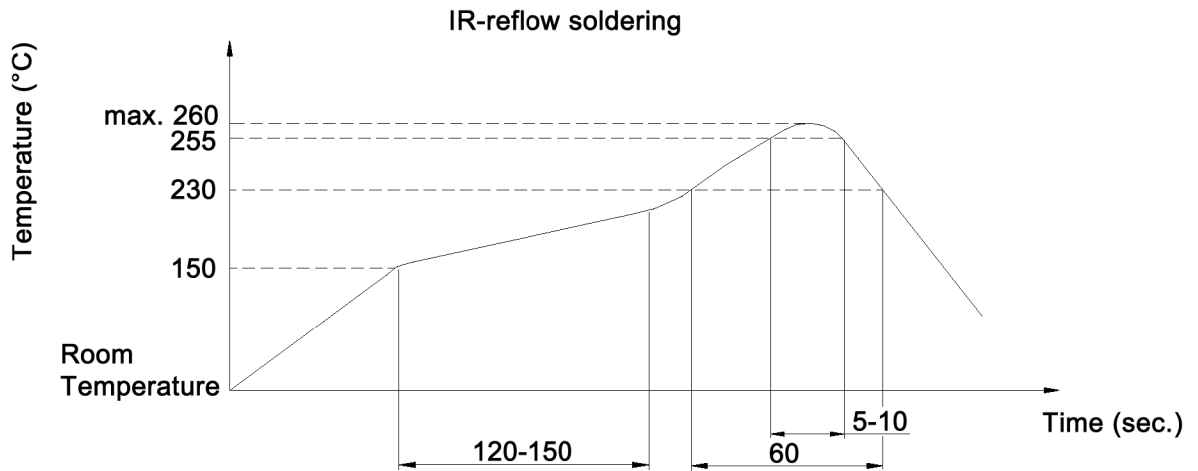


Compliance: RohS II (2011/65/EU)

Tolerances: max. ±0.2mm		Date	Name	<h1>TSSE 21 x</h1>
		05/10	dr	
Specifications	08/15	dr		
Revised	02/13	dr		
Further dimensions	11/12	dr		<h1>30 21 00</h1>
Table "x"	11/12	dr		
Sealing	09/10	dr	knitter-switch	Page
Modifications	Date	Name		1/2

Specifications:

Contact rating: 50mA, 50V DC
 Contact resistance: 100mOhm max.
 Insulation resistance: 100MOhm min. at 100V DC for 1 minute +/-5sec.
 Dielectric strength: 250V AC (50/60Hz) for 1 minute
 Operating temperature: -40°C to +85°C
 Storage temperature: -40°C to +85°C
 Travel: 0.40 +/-0.20mm
 Material: Stem: high-temp. thermoplastic nylon UL94V-0
 Cover: stainless steel
 Seal: silicone rubber, molded black
 Contact: stainless steel, silver plated
 Terminal: brass, silver plated
 Base: high-temp. thermoplastic LCP, molded black
 IP rating: IP 67
 Washable, tested for 1 minute in 5cm depth in fluorocarbon at 50°C
 Soldering conditions:



x	Operating force (gf)	Mechanical life	Color of stem
N	160 +/-50	1 000 000 cycles	brown
NQR1	200 +/-50	1 000 000 cycles	brown
R	260 +/-50	1 000 000 cycles	red
W	320 +/-80	300 000 cycles	white
Y	520 +/-130	300 000 cycles	yellow

Compliance: RohS II (2011/65/EU)

Tolerances: max. ±0.2mm	Date	Name	TSSE 21 x
	05/10	dr	
			30 21 00
			knitter-switch
			30 21 00
Modifications	Date	Name	Page 2/2