

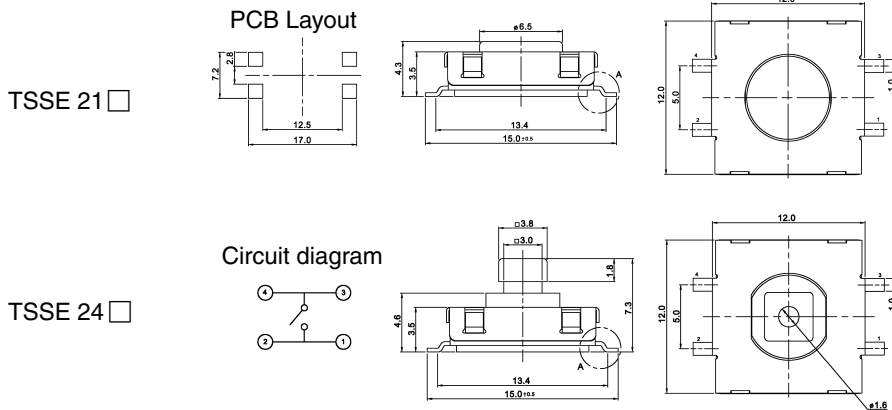
Tact Switches for SMT, waterproof



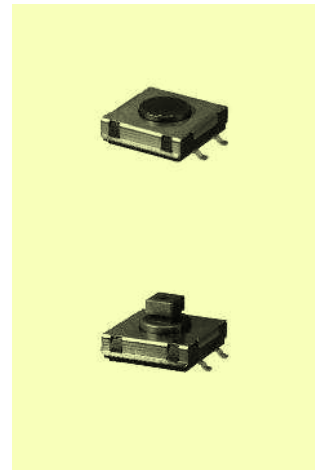
Specifications:

Contact rating:	50 V DC, 50 mA
Contact resistance:	< 100 mΩ
Insulation resistance:	> 100 MΩ
Dielectric strength:	250 V, 50 Hz for the duration of 1 minute
Operating temperature:	-40 °C to +85 °C
Operating force:	N: 1.6 N ± 0.5 N
	R: 2.6 N ± 0.5 N
	W: 3.2 N ± 0.8 N
	Y: 5.2 N ± 1.3 N
	Mechanical life:
Material:	Contacts: stainless steel, silver-plated
	Terminals: brass, silver plated
	Cover: stainless steel
	Base: LCP, UL 94 V-0, black, washable
	Stem: PA, UL 94 V-0
Protection:	IP 67
Mounting:	on pc-board – SMD
Travel:	0.4 mm ± 0.2 mm

Models:



washable



Caps for TSSE 24



Ordering code:

Switches **TSSE 2**

Dimension H/Packing:

- 1 4.3 mm / 700 pcs/reel
- 4 7.3 mm / 500 pcs/reel

Colour of stem for operating force:

- N 1.6 N, brown
- R 2.6 N, red
- W 3.2 N, white
- Y 5.2 N, yellow

Caps **KTSC-2**

Cap type:

- 1 square
- 2 round

Cap colour:

- Y yellow
- B blue
- R red
- I ivory
- K black
- G green