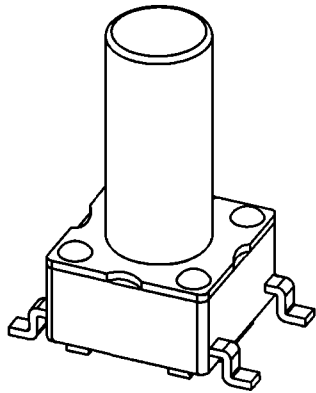
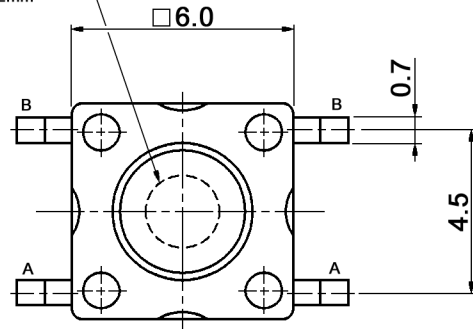


4x A common tolerances zone

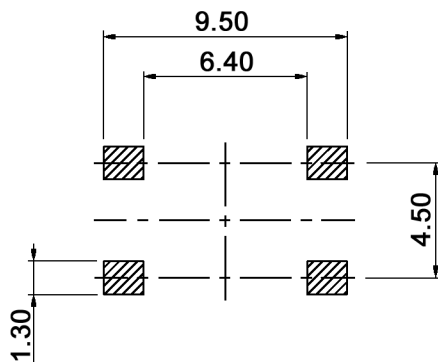
±0.1



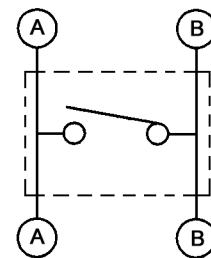
RECOMMEND OPERATING
AREA ø2mm



P.C.B. LAYOUT



CIRCUIT DIAGRAM



Compliance: RohS II (2011/65/EU)

Tolerances: up to 10: ±0.2mm above 10-50: ±0.3mm	Date	Name
	09/15	dr
Material	05/18	dr
Modifications	Date	Name

TSS 66 x

30 34 20

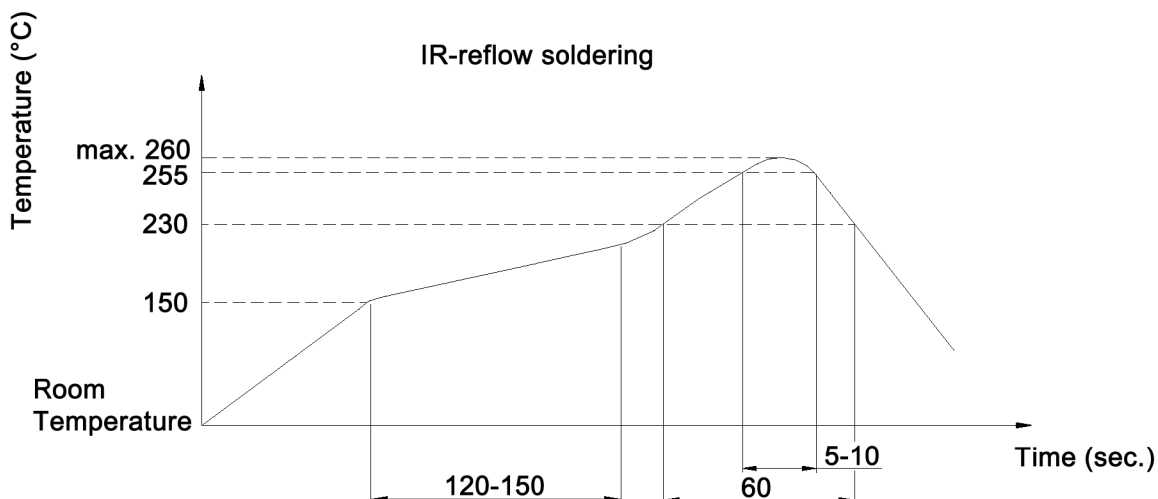
Page

1/2

Specifications:

Contact rating: 50mA, 12V DC
 Contact resistance: 100mOhm max.
 Insulation resistance: 100MOhm min. at 500V DC for 1 minute
 Dielectric strength: 250V AC (50/60Hz) for 1 minute
 Operating temperature: -40°C to +85°C
 Storage temperature: -40°C to +85°C
 Material: Cover: stainless steel
 Case / stem: PPS
 Contact: phosphor bronze, silver plated
 Terminal: brass, silver plated

Soldering conditions:



x	Operating force	Mechanical life	Stem color
K	100 +/-30 gf	150 000 cycles	black
N	160 +/-50 gf	150 000 cycles	brown
R	250 +/-70 gf	150 000 cycles	red
S	320 +/-70 gf	100 000 cycles	salmon
Y	520 +/-130 gf	50 000 cycles	yellow

Compliance: RohS II (2011/65/EU)

Tolerances: up to 10: ±0.2mm above 10-50: ±0.3mm		Date	Name	TSS 66 x
		09/15	dr	
			knitter-switch	30 34 20
Material	05/18	dr		
Modifications	Date	Name		Page 2/2