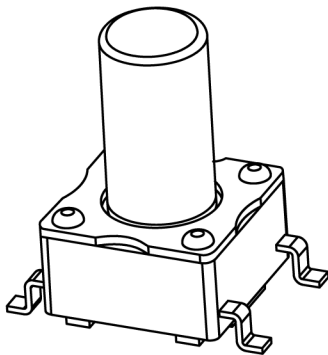
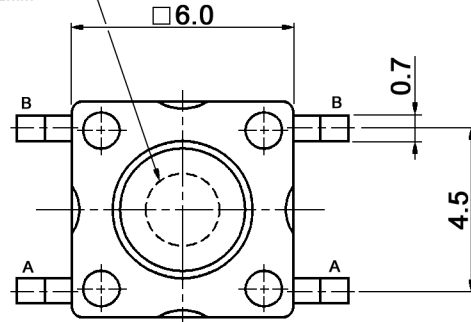


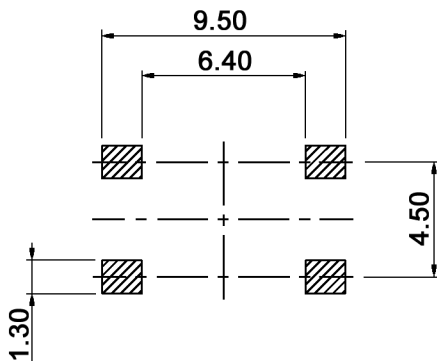
4x **A** common tolerances zone
 $\square \pm 0.1$



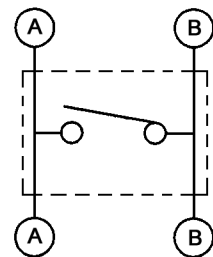
RECOMMEND OPERATING AREA $\varnothing 2\text{mm}$



P.C.B. LAYOUT



CIRCUIT DIAGRAM



Compliance: RohS III (2015/863/EU)

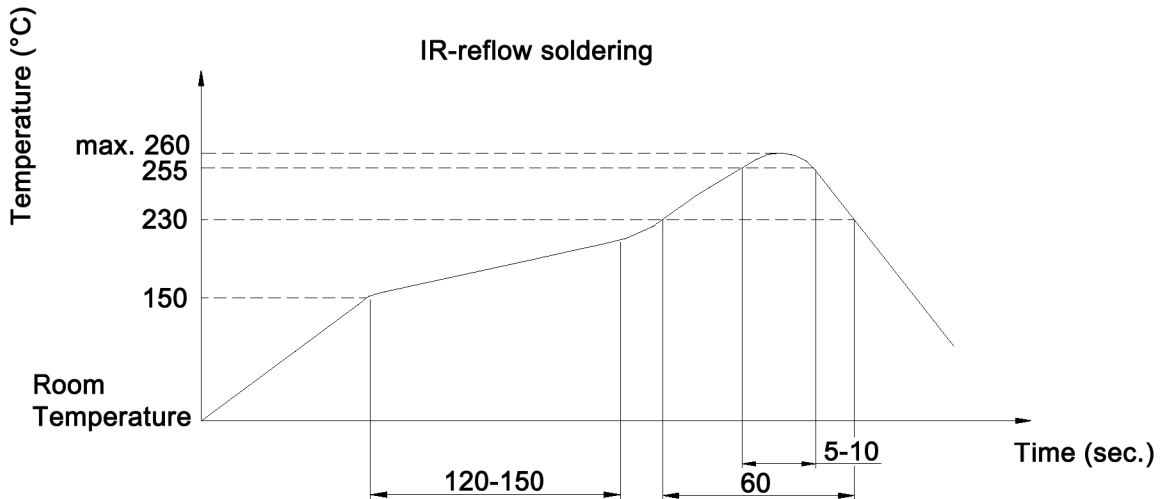
Tolerances: up to 10: $\pm 0.2\text{mm}$ above 10-50: $\pm 0.3\text{mm}$		Date	Name	<h1>TSS 65 x</h1>
		03/07	dr	
Actuator	02/21	dr		
Rename	06/15	dr		
Rename	03/15	dr		<h1>30 10 88</h1>
Dimension	09/09	dr		
Operating temperature	07/08	dr		Page
Modifications	Date	Name		1/3

knitter-switch

Specifications:

Contact rating: 50mA, 12V DC
 Contact resistance: 100mOhm max.
 Insulation resistance: 100MOhm min. at 500V DC for 1 minute
 Dielectric strength: 250V AC (50/60Hz) for 1 minute
 Operating temperature: -40°C to +85°C
 Storage temperature: -40°C to +85°C
 Material: Stem: high-temp. thermoplastic UL94V-0
 Base: high-temp. thermoplastic UL94V-0
 Contact: phosphor bronze, silver plated
 Terminals: brass, silver plated
 Cover: stainless steel

Soldering conditions:

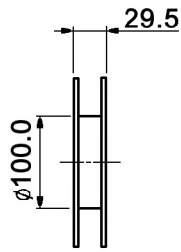
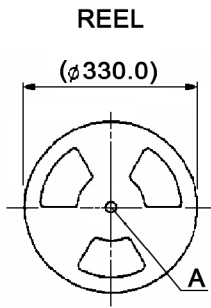


x	Operating force	Mechanical life	Stem color
N	160 +/-50 gf	150 000 cycles	brown
R	250 +/-70 gf	150 000 cycles	red
S	320 +/-70 gf	100 000 cycles	salmon
Y	520 +/-130 gf	50 000 cycles	yellow

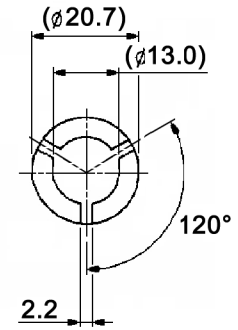
Compliance: RohS III (2015/863/EU)

Tolerances: up to 10: ±0.2mm above 10-50: ±0.3mm		Date	Name	<h1>TSS 65 x</h1>
		03/07	dr	
Actuator	02/21	dr		
Rename	06/15	dr		
Rename	03/15	dr		<h1>30 10 88</h1>
Dimension	09/09	dr	knitter-switch	
Operating temperature	07/08	dr		Page
Modifications	Date	Name		2/3

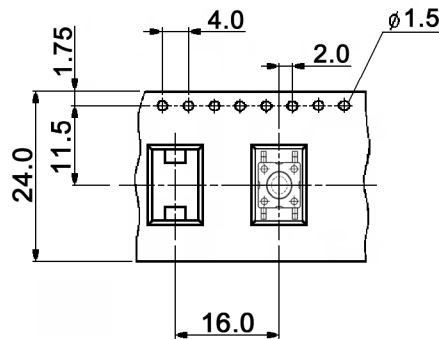
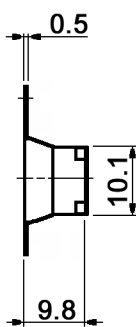
Packaging:



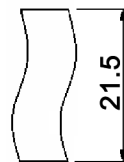
"A" DETAIL



CARRIER TAPE



COVER TAPE



Packaging unit: 380 pcs. / reel
 Compliance: RohS III (2015/863/EU)

Tolerances: up to 10: $\pm 0.2\text{mm}$ above 10-50: $\pm 0.3\text{mm}$		Date	Name
		03/07	dr
Actuator	02/21	dr	
Rename	06/15	dr	
Rename	03/15	dr	
Dimension	09/09	dr	
Operating temperature	07/08	dr	
Modifications	Date	Name	

TSS 65 x

30 10 88

Page

3/3