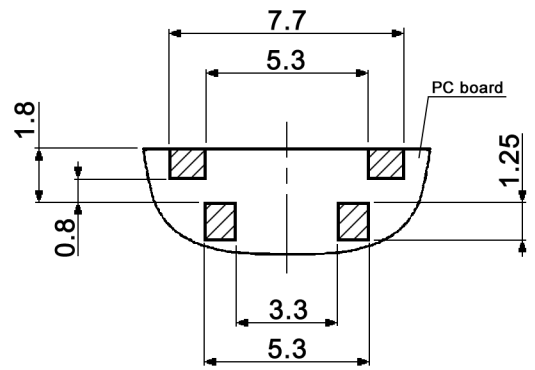


P.C.B. LAYOUT



CIRCUIT DIAGRAM



Compliance: RohS II (2011/65/EU)

Tolerances: up to 10: $\pm 0.2\text{mm}$ above 10-50: $\pm 0.3\text{mm}$	Date	Name
	03/12	dr
Rename	09/15	dr
Travel	08/12	dr
Material	06/12	dr
Modifications	Date	Name

**TSS 4 x-RA**

**knitter-switch**

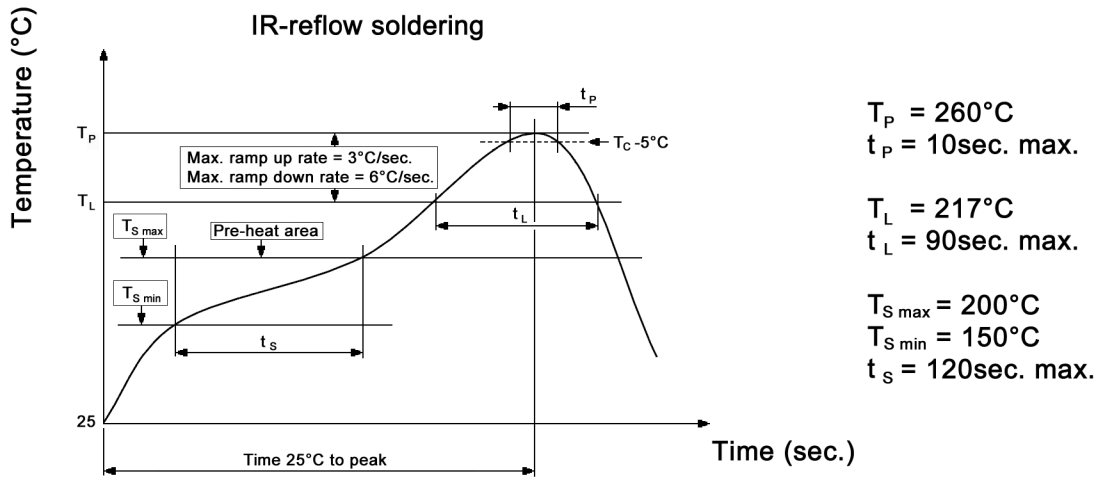
**30 25 71**

Page  
1/3

**Specifications:**

**Contact rating:** max.: 50mA, 12V DC  
 min.: 0.5mA, 1V DC  
**Contact resistance:** 100mOhm max.  
**Insulation resistance:** 2000MOhm min. at 100V DC  
**Dielectric strength:** 250V AC for 1 minute  
**Operating temperature:** -40°C to +85°C  
**Electrical life:** 250 000 times (15 times/minute)  
**Material:** Case / button: PA9T (94HB), black  
 Contact plate: stainless steel, silver plated  
 Membrane: polyimide, natural  
 Terminal: phosphor bronze, silver plated  
 Cover: phosphor bronze, tin plated

**Soldering conditions:**

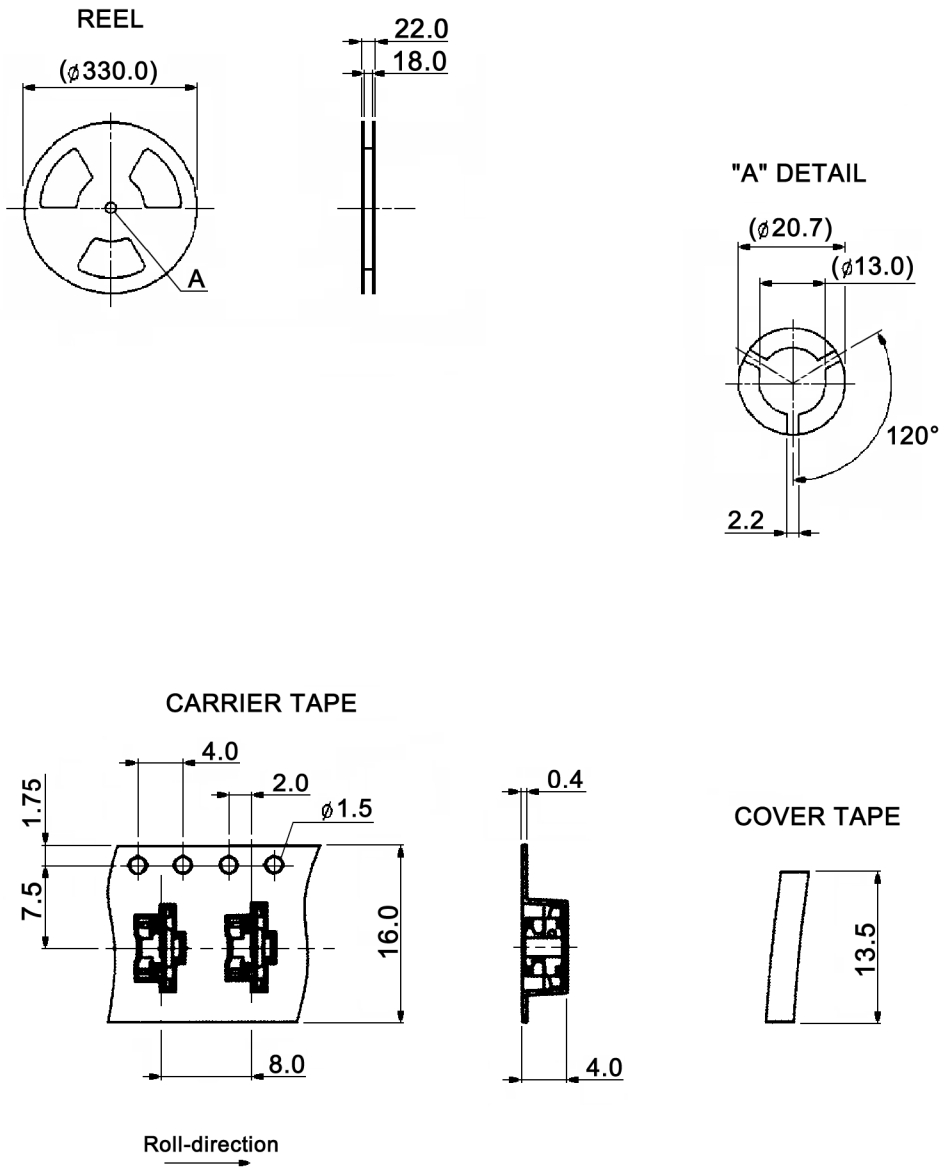


x	Operating force
(empty)	2.16 +/-0.59N
R	3.43 +/-0.98N

Compliance: RohS II (2011/65/EU)

Tolerances: up to 10: ±0.2mm above 10-50: ±0.3mm	Date	Name	<b>TSS 4 x-RA</b>
	03/12	dr	
			<b>30 25 71</b>
			<b>knitter-switch</b>
			<b>30 25 71</b>
Modifications	Date	Name	Page 2/3

Packaging:



Packaging unit: 2000 pcs. / reel  
 Compliance: RohS II (2011/65/EU)

Tolerances: up to 10: $\pm 0.2\text{mm}$ above 10-50: $\pm 0.3\text{mm}$	Date	Name	<h1>TSS 4 x-RA</h1>
	03/12	dr	
			<h2>30 25 71</h2>
			Page
			3/3
Modifications	Date	Name	

**knitter-switch**