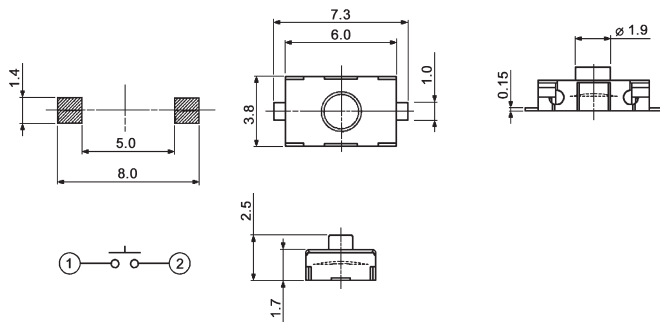


## Specifications:

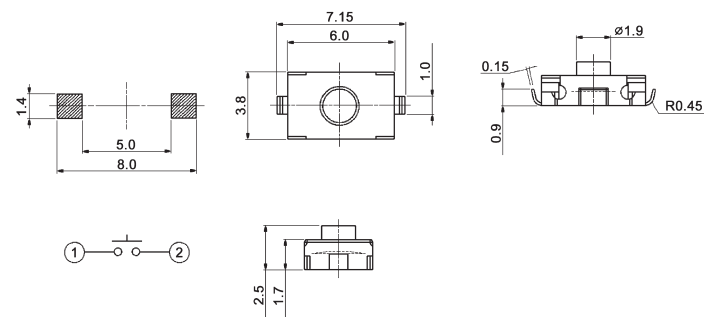
Contact rating:	32 V DC, 50 mA max.
Contact resistance:	< 100 mΩ
Insulation resistance:	> 100 MΩ
Dielectric strength:	100 V, 50 Hz for the duration of 1 minute
Operating temperature:	TSS 309: -20 °C to +70 °C TSSE 310: -40 °C to +85 °C
Operating force:	N: 1.8 N ± 0.5 N S: 3.5 N ± 0.9 N
Mechanical life:	N: 1 000 000 operations S: 100 000 operations
Material:	contacts: stainless steel, silver-plated terminals: phosphor-bronze, silver-plated case: TSS 309: PA46, TSSE 310: PPA Actuator: TSS 309: PA46, blue, TSSE 310: silicone rubber, black
Protection:	TSSE 310: IP 67
Mounting:	on pc-board
Packing:	2500 pcs/reel

## Models:

TSS 309 □



TSS 309 □-J



TSSE 310 S

