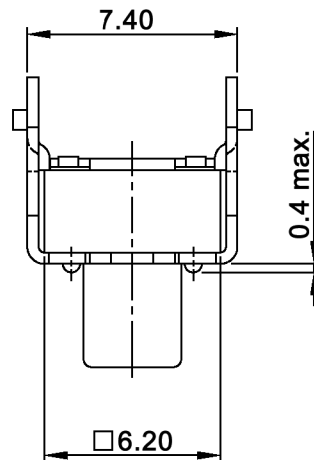
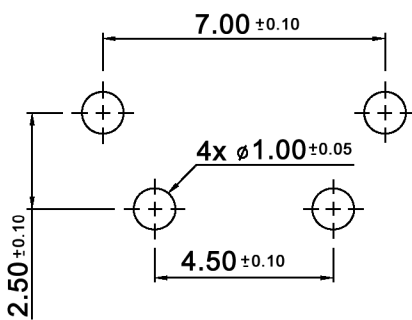


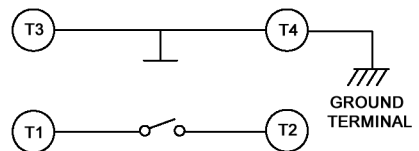
x	Length (mm)
1	3.15
2	3.85
3	5.85
44	6.15
48	6.15
5	8.35
6	11.85



P.C.B. LAYOUT



CIRCUIT DIAGRAM



Compliance: RohS III (2015/863/EU)

Tolerances: ±0.20mm max.		Date	Name
Contact rating	04/20	dr	
Contact rating	10/17	dr	
Operating force	09/17	dr	
Rename	03/16	dr	
Rename	09/15	dr	
Revised	12/10	dr	
Modifications	Date	Name	

**TS 6x y-RA**

**knitter-switch**

**30 20 80**

Page

1/2

**Specifications:**

**Contact rating:** 50mA, 12V DC; min. 10µA, 1V DC  
**Contact resistance:** 100mOhm max.  
**Insulation resistance:** 100MOhm min. at 500V DC for 1 minute +/-5sec.  
**Dielectric strength:** 250V AC (50/60Hz) for 1 minute  
**Operating temperature:** -40°C to +85°C  
**Storage temperature:** -40°C to +85°C  
**Soldering conditions:** 260 +/-3°C, 5 +/-1sec.; pre-heat max. 100°C, max. 60sec.  
**Travel:** 0.25 +0.2/-0.1 mm  
**Material:** Cover: steel, 2.5µm min. tin plated  
 Stem: thermoplastic nylon UL94V-0  
 Contact: phosphor bronze, silver cladding  
 Terminal: brass, silver plated  
 Base: thermoplastic nylon UL94V-0, molded black

y	Operating force (gf)	Colour of stem	Electrical life
U	70 +/-30	blue	200 000 cycles
K	100 +/-50	black	200 000 cycles
N	160 +/-50	brown	200 000 cycles
R	260 +/-50	red	100 000 cycles
S	320 +/-80	salmon	50 000 cycles
Y	520 +/-130	yellow	50 000 cycles

Compliance: RohS III (2015/863/EU)

Tolerances: ±0.20mm max.			Date	Name	<b>TS 6x y-RA</b>
			04/10	dr	
Contact rating	04/20	dr			
Contact rating	10/17	dr			
Operating force	09/17	dr			
Rename	03/16	dr	<b>knitter-switch</b>		<b>30 20 80</b>
Rename	09/15	dr			
Revised	12/10	dr			
Modifications	Date	Name			Page 2/2